

Overview:

The HDMI/USB 2.0 Extender Kit allows one HDMI 1.4 and one USB 2.0 channel to be transmitted up to 330ft (100m) at all resolutions up to 1920x1200 @ 60Hz via one (1) Cat 5e/6 cable in a point-to-point configuration. The receive side includes a 4-port USB 2.0 hub, supporting KVM applications.

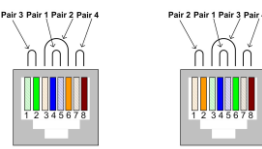


KVM Related Applications:

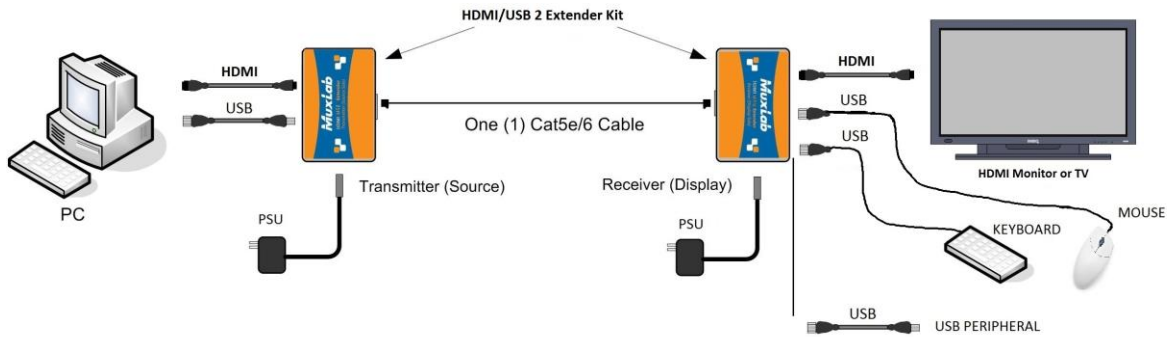
- Commercial and residential AV systems
- Classroom projector systems
- Boardroom systems
- Collaborative PC systems
- Medical information systems

Key Features:

- Supports HDMI 4K @ 30fps (4:4:4)
- Supports HDMI 4K @ 60fps (4:2:0)
- Uncompressed signal transmission
- USB 2.0 (250Mbps max)
- Receiver side includes a 4-port USB hub, supporting KVM applications
- Up to 330ft (100m) over Cat5e/6 at 4K30
- Supports bi-directional IR transmission

Environment	KVM, HDMI 1.4 & USB 2.0
Devices	KVM, Monitors, TV, PC, laptops, mouse, keyboard.
Transmission	Transparent to the user.
Bandwidth	340 MHz
Signals	HDMI 1.4 protocol and USB 2.0
USB	One input on TX side and 4 outputs on RX side. Bandwidth available: Up to 250 Mb/s.
Connectors	One (1) HDMI receptacle. One (1) RJ45 for Cat 5e/6 unshielded or shielded twisted pair. On TX: 1 standard USB connector, type B. On RX: 4 standard USB connectors, type A.
<i>Note: Cables not included.</i>	
Maximum Distance	Cat 5e/6: 330ft (100m) up to 1920 X 1200 resolution, up to 60Hz 330ft (100m) for 4K (3840 X 2160) up to 30Hz <i>Note: A minimum CAT5e/6 cable length of 12ft (4m) is required. When installed in an electrically noisy environment, an STP cable must be used.</i>
RJ45 Pin Configuration	<p>RJ45 Link</p> <p>Pin 1 (R) Pin 2 (T) Pin 3 (R) Pin 6 (T) Pin 4 (R) Pin 5 (T) Pin 7 (R) Pin 8 (T)</p> 
<i>Reverse Polarity Sensitive. Use EIA/TIA 568A or 586B straight-through wiring.</i>	
Cable	One (1) Cat 5e/6 or better twisted pair cable required.
Power Supply	Two (2) 110-240V/5VDC power supplies with interchangeable blades
Power Consumption	Transmitter: 3 Watts Receiver: 7 Watts + USB power
Temperature	Operating: 0° to 40°C Storage: -20° to 85°C Humidity: Up to 95% non-condensing
Enclosure	Aluminum casting with plastic side panel.
Dimensions	4.50" x 3.00" x 1.25" (11.4 x 7.6 x 3.2 cm)
Weight	2.6 lb. (1.2 kg)
Compliance	Regulatory: FCC, CE, RoHS Flammability: 94V0
Warranty	2 years
Order Information	500457 HDMI / USB 2.0 Extender Kit

Typical Application



Transmitter (Source Side)



Receiver (Display Side)