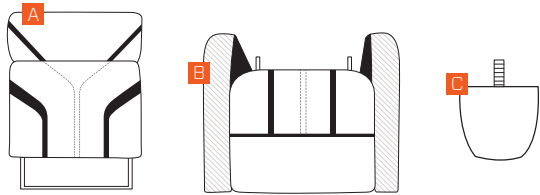


PARTS AND SUPPLIES

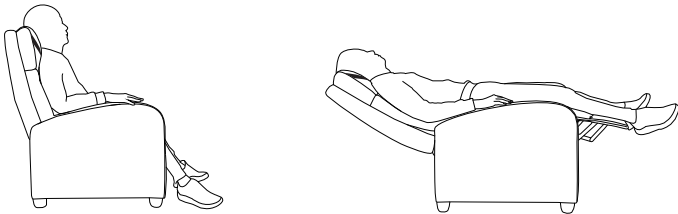
- A. Backrest
- B. Seat base
- C. Feet (×4)



ADJUSTING THE RECLINING POSITION

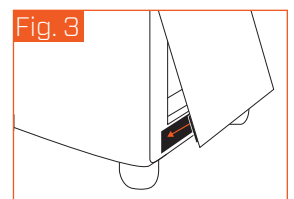
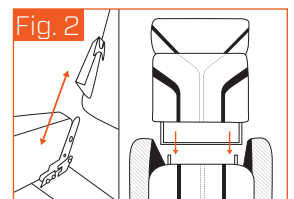
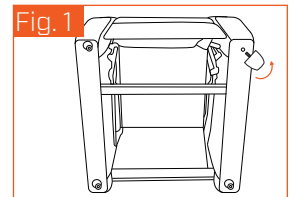
Upright

Reclined



ASSEMBLY INSTRUCTIONS

1. Screw the four feet onto the seat base, and tighten until snug [Fig. 1].
2. Place the seat base on a flat surface and lift the back flap of the backrest to expose the attachment rails.
3. Align the rails with the brackets on the seat base. Press the rails down into the brackets until the locking tabs snap closed [Fig. 2].
4. Tuck the touch-connect strip that extends from the bottom front of the backrest through the space between the backrest and seat base. Attach it to the touch-connect strip on the seat base.
5. Attach the touch-connect strip at the bottom back of the backrest to the strip at the bottom of the seat base [Fig. 3].



DISASSEMBLY INSTRUCTIONS

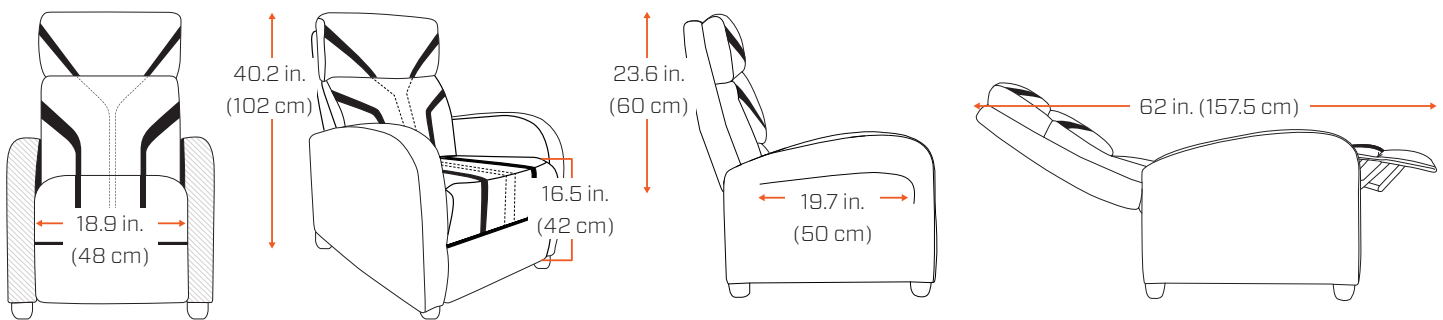
1. Detach the touch-connect straps from the front and back of the chair and lift the back flap.
2. Pull the two locking tabs toward the center of the chair to unlock the backrest. While pulling the tabs to the center of the chair, lift the backrest up and out of the brackets.

PRECAUTIONS

- Make sure this product is intact and that there are no missing parts.
- Clean the chair with only a soft, dry cloth.
- Make sure everything is secure before use.
- Use the chair on a flat surface only.
- Do not stand on the chair.
- Do not put your weight only on the backrest while the chair is in a reclined position.
- Do not let anyone press down on the backrest while the chair is in a reclined position.
- Recline slowly.
- Do not seat more than one person at a time in this chair.
- Do not sit on the arms or backrest of the chair.
- All images are for illustrative purposes only.

SPECIFICATIONS

DIMENSIONS (D × H × W)	UPRIGHT	32.3 × 40.2 × 27.6 in. (82 × 102 × 70 cm)
	RECLINED	62 × 30.7 × 27.6 in. (157.5 × 78 × 70 cm)
MAX WEIGHT CAPACITY		275 lb. (125 kg)
MATERIAL		PU leather
SEAT HEIGHT		16.5 in. (42 cm)
BACK HEIGHT		23.6 in. (60 cm)
SEAT WIDTH		18.9 in. (48 cm)
SEAT DEPTH		19.7 in. (50 cm)



ONE-YEAR LIMITED WARRANTY

This Spieltek product is warranted to the original purchaser to be free from defects in materials and workmanship under normal consumer use for a period of one (1) year from the original purchase date or thirty (30) days after replacement, whichever occurs later. The warranty provider's responsibility with respect to this limited warranty shall be limited solely to repair or replacement, at the provider's discretion, of any product that fails during normal use of this product in its intended manner and in its intended environment. Inoperability of the product or part(s) shall be determined by the warranty provider. If the product has been discontinued, the warranty provider reserves the right to replace it with a model of equivalent quality and function.

This warranty does not cover damage or defect caused by misuse, neglect, accident, alteration, abuse, improper installation or maintenance. EXCEPT AS PROVIDED HEREIN, THE WARRANTY PROVIDER MAKES NEITHER ANY EXPRESS WARRANTIES NOR ANY IMPLIED WARRANTIES, INCLUDING BUT NOT LIMITED TO ANY IMPLIED WARRANTY OF MERCHANTABILITY OR FITNESS FOR A PARTICULAR PURPOSE. This warranty provides you with specific legal rights, and you may also have additional rights that vary from state to state.

To obtain warranty coverage, contact the Spieltek Customer Service Department to obtain a return merchandise authorization ("RMA") number, and return the defective product to Spieltek along with the RMA number and proof of purchase. Shipment of the defective product is at the purchaser's own risk and expense.

For more information or to arrange service, visit www.spieltekgaming.com or call Customer Service at 212-594-2353.



Product warranty provided by the Gradus Group.
www.gradusgroup.com

Spieltek is a registered trademark of the Gradus Group.
 © 2020 Gradus Group LLC. All Rights Reserved.