



**MAGNUS
REX**

VT-6000

6000H/TL750A

Two-Stage Video Tripod
with Fluid Head

Owner's
Manual



Thank you for choosing Magnus.

The Magnus REX VT-6000 tripod is designed with features that professional videographers and cinematographers require of their camera-support systems. It's constructed with sturdy, high-grade aluminum legs with flip locks that provide stable support in the most demanding environments. With advanced features like stepped pan, tilt, and counterbalance controls, this head will accommodate most on-the-go productions. Whatever the shooting style, the VT-6000 delivers dependable camera security as well as smooth and fluid camera movement.

Precautions

- Please read and follow these instructions, and keep this manual in a safe place.
- Never set up or pull down a tripod while a camera is mounted.
- Do not move the tripod or adjust the legs while a camera is mounted.
- Do not exceed the maximum weight capacity of the tripod.
- Never leave a camera unattended on the tripod.
- The camera should be securely fastened to the quick-release plate before mounting onto the tripod.
- Never mount a camera to the tripod until all tripod legs are locked and stabilized.
- Do not stand on, rest on, or hang anything from the mid-level spreader.
- Do not lift or move the tripod by the head.
- Keep hands clear of the inside of the legs, to avoid trapping fingers.
- Safe operation of the tripod is the user's responsibility.
- All images are for illustrative purposes only.

Specifications

General

Load Capacity: 17 lb. (7.7 kg)

Maximum Working Height: 65 in. (165.1 cm)

Minimum Working Height: 29.3 in. (74.4 cm)

Folded Length: 33.5 in. (85.1 cm)

Weight: 12.2 lb. (5.5 kg)

Materials: Anodized aluminum alloy

Bubble Level: Yes

Head

Counterbalance System: Stepped, spring loaded

Quick-Release Plate: 4.7 × 2 × 0.4 in. (12 × 5 × 1 cm)

Quick-Release Safety: Yes

Camera Mounting Screw: 1/4"-20, 3/8"-16

Built-In Balance Plate: Yes

Tilt Drag: Stepped, fluid

Tilt Range: +50°/-70°

Tilt Lock: Yes

Pan Drag: Stepped, fluid

Pan Range: 360°

Pan Lock: Yes

Pan-Handle Rosettes: 2 (left and right)

Leveling Bubble / Illuminated: Yes, unilluminated

Head Mount Type: 75mm Half Ball

Legs

Material: Anodized aluminum alloy

Head Attachment Fitting: 75 mm bowl

Leg Stages / Sections: Two stage

Leg Lock Type: Flip lock

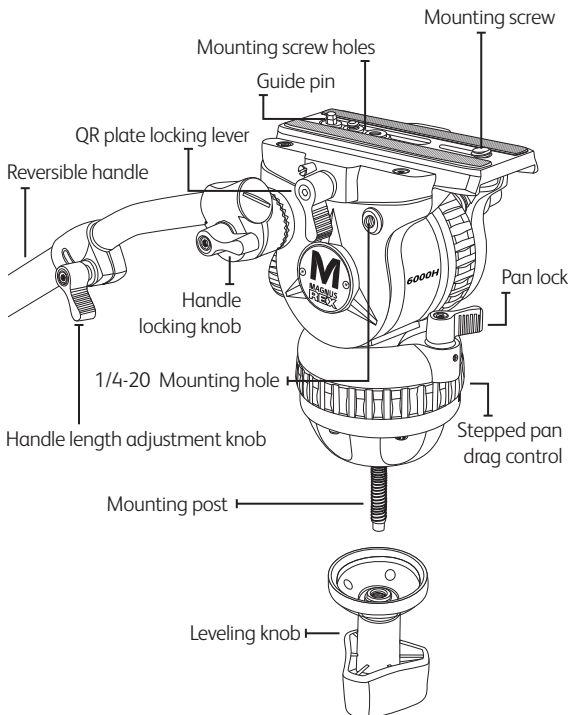
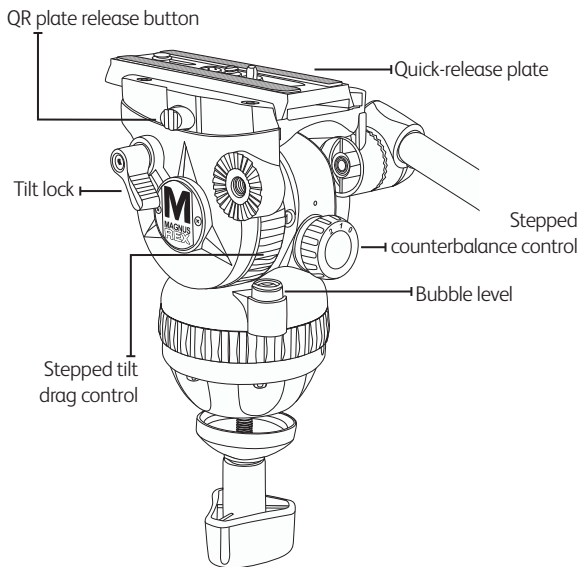
Independent Leg Spread: Yes

Spreader: Mid level (adjustable)

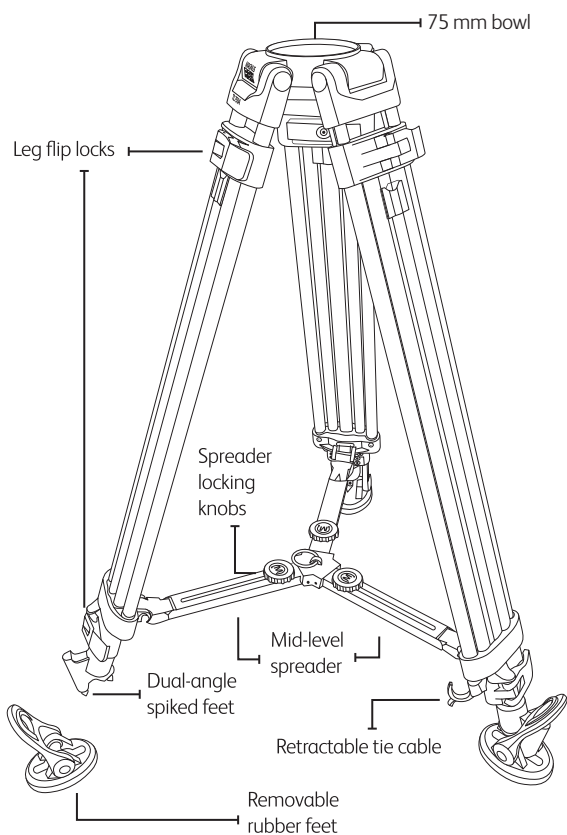
Spiked / Retractable Feet: Nonretractable spikes with removable nonslip rubber feet

Overview

Head (6000H)



Tripod (TL750A)



Also Includes

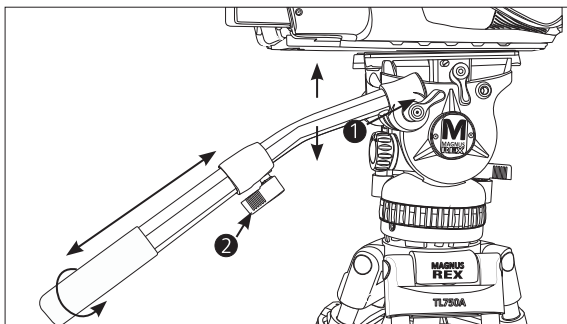
- Shoulder strap
- Padded carry case

Operating the VT-6000

Handle

Loosen the handle locking knob to adjust the vertical angle of the handle and to turn the handle to adjust the curve angle. ❶

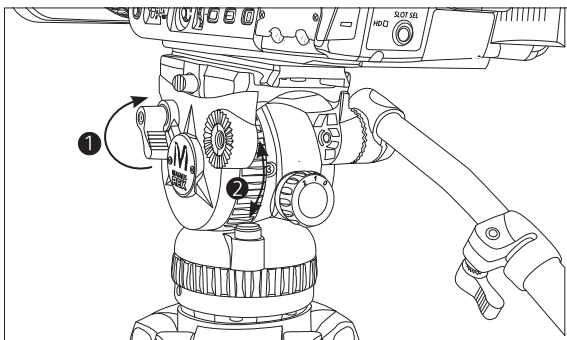
Use the length adjustment knob to lengthen or shorten the handle. ❷



Tilt Control

Turn the tilt lock clockwise to lock the tilting action. ❶

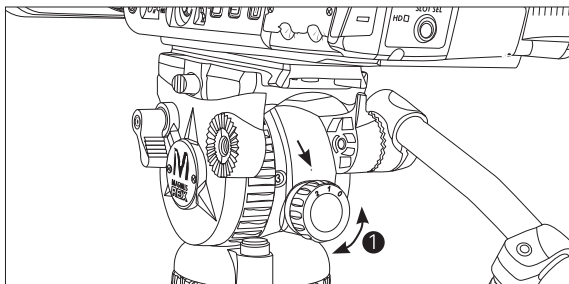
Stepped tilt drag control: Select from 0 to 3 to increase tension. ❷ Adjust depending on the weight of the camera and the speed of the tilting motion.



Counterbalance Control

The VT-6000 has a three-position stepped spring-loaded counterbalance, which returns the head to the horizontal position when the handle is released.

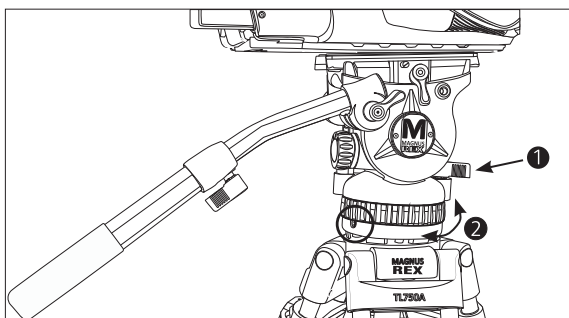
Select 0 to turn the counterbalance tension off. Select higher numbers to increase the tension, depending on the camera's weight. Heavier cameras should have greater tension. ❶



Pan Control

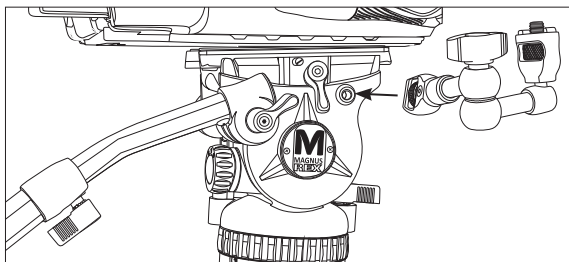
Turn the pan lock clockwise to lock the panning motion. ❶

Stepped pan drag control: Select 0 to turn the pan drag off. Select higher numbers to increase the pan drag tension, depending on the desired panning speed. ❷



Extra Mount

The front left and right sides of the VT-6000 have a 1/4-20 threaded mounting hole to attach accessories like articulating arms.



Five-Year Limited Warranty

This MAGNUS product is warranted to the original purchaser to be free from defects in materials and workmanship under normal consumer use for a period of five (5) years from the original purchase date or thirty (30) days after replacement, whichever occurs later. The warranty provider's responsibility with respect to this limited warranty shall be limited solely to repair or replacement, at the provider's discretion, of any product that fails during normal use of this product in its intended manner and in its intended environment. Inoperability of the product or part(s) shall be determined by the warranty provider. If the product has been discontinued, the warranty provider reserves the right to replace it with a model of equivalent quality and function.

This warranty does not cover damage or defect caused by misuse, neglect, accident, alteration, abuse, improper installation or maintenance. EXCEPT AS PROVIDED HEREIN, THE WARRANTY PROVIDER MAKES NEITHER ANY EXPRESS WARRANTIES NOR ANY IMPLIED WARRANTIES, INCLUDING BUT NOT LIMITED TO ANY IMPLIED WARRANTY OF MERCHANTABILITY OR FITNESS FOR A PARTICULAR PURPOSE. This warranty provides you with specific legal rights, and you may also have additional rights that vary from state to state.

To obtain warranty coverage, contact the Magnus Customer Service Department to obtain a return merchandise authorization ("RMA") number, and return the defective product to Magnus along with the RMA number and proof of purchase. Shipment of the defective product is at the purchaser's own risk and expense.

For more information or to arrange service, visit www.magnustripods.com or call Customer Service at 212-594-2353.



Product warranty provided by the Gradus Group.
www.gradusgroup.com

Magnus is a registered trademark of the Gradus Group.

© 2019 Gradus Group LLC. All rights reserved.

GG2