



MAGNUS REX

VT-4000-PRO

4000H/TL650A

Two-Stage Video Tripod
with Fluid Head

Owner's
Manual



Thank you for choosing Magnus.

Magnus REX VT-4000-PRO tripod is designed with advanced features that professional videographers and cinematographers require of their camera-support systems. It's constructed with sturdy, high-grade aluminum legs with flip locks that provide stable support in the most demanding environments. The video head boasts professional features that will accommodate most on-the-go videographers, and it delivers dependable camera security as well as smooth fluid movement.

Precautions

- Please read and follow these instructions, and keep this manual in a safe place.
- Never set up or pull down a tripod while a camera is mounted.
- Do not move the tripod or adjust the legs while a camera is mounted.
- Do not exceed the maximum weight capacity of the tripod.
- Never leave a camera unattended on the tripod.
- The camera should be securely fastened to the quick-release mounting plate before mounting onto the tripod.
- Never mount a camera to the tripod until all tripod legs are locked and stabilized.
- Do not stand on, rest on, or hang anything from the mid-level spreader.
- Do not lift or move the tripod by the head.
- Keep hands clear of the inside of the legs, to avoid trapping fingers.
- Safe operation of the tripod is the user's responsibility.
- All images are for illustrative purposes only.

Specifications

General

Load Capacity: 11 lb. (5 kg)

Maximum Working Height: 63.5 in. (161.3 cm)

Minimum Working Height: 28.3 in. (72 cm)

Folded Length: 31.5 in. (80 cm)

Weight: 9.9 lb. (4.5 kg)

Materials: Anodized aluminum alloy

Bubble Level: Yes

Head

Counterbalance System: Spring loaded

Quick-Release Plate: 0.3×1.7×2.7 in. (0.7×4.2×6.9cm)

Quick-Release Safety: Yes

Camera Mounting Screw: 1/4-20, 3/8-16

Built-In Balance Plate: Yes

Tilt Drag: Adjustable, fluid

Tilt Range: -65°/+80°

Tilt Lock: Yes

Pan Drag: Fixed, fluid

Pan Range: 360°

Pan Lock: Yes

Pan-Handle Rosettes: 2 (left and right)

Leveling Bubble / Illuminated: Yes, unilluminated

Head Mount Type: 65 mm half ball

Legs

Material: Anodized aluminum alloy

Head Attachment Fitting: 65 mm bowl

Leg Stages / Sections: Two stage

Leg Lock Type: Flip lock

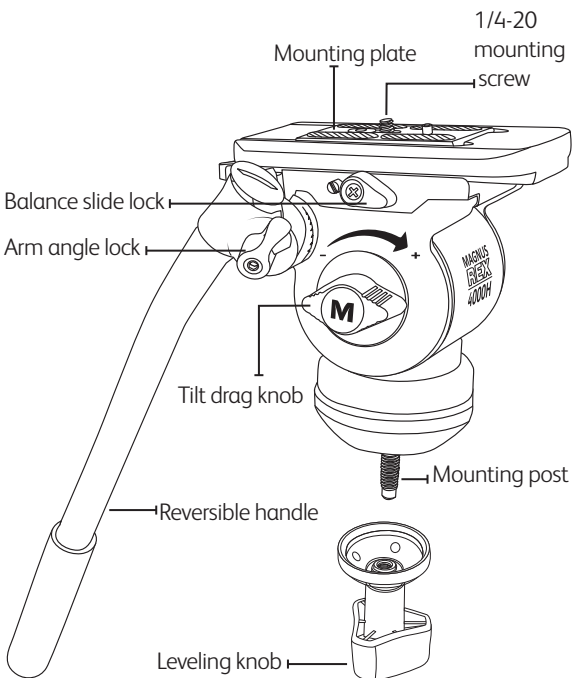
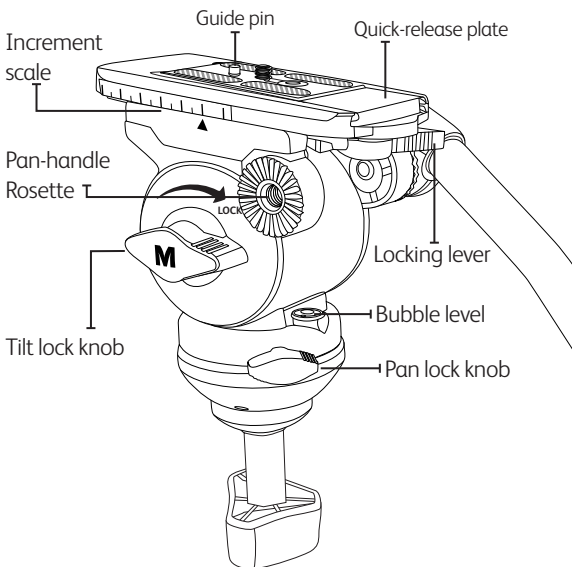
Independent Leg Spread: Yes

Spreader: Mid level (adjustable)

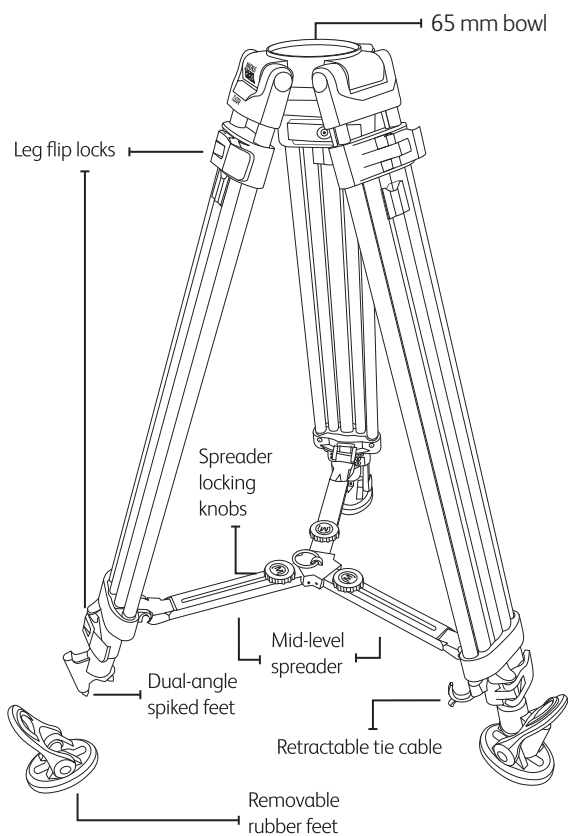
Spiked / Retractable Feet: Nonretractable spikes with removable nonslip rubber feet

Overview

Head (4000H)



Tripod (TL650A)



Also Includes:

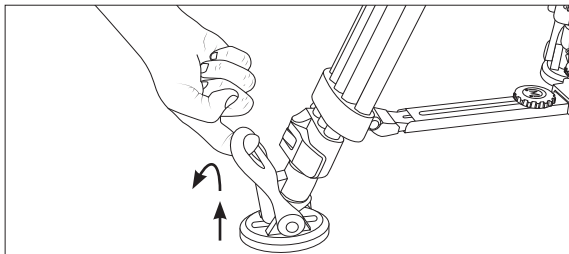
- Shoulder strap
- Padded carry case

Setting Up the Tripod

Extend the legs from the top flip-locks first.

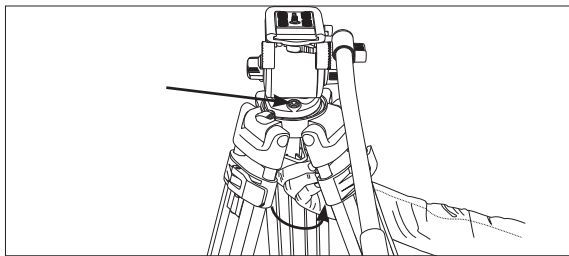
Determine whether the rubber feet or the spikes are appropriate for the setup surface. To use the spikes, remove the rubber feet by pulling up on the circular tabs and sliding the rubber feet off the spikes.

To replace the rubber feet, make sure a spike is on either side of the foot. Stretch the tab over the hook to secure the foot over the spikes.

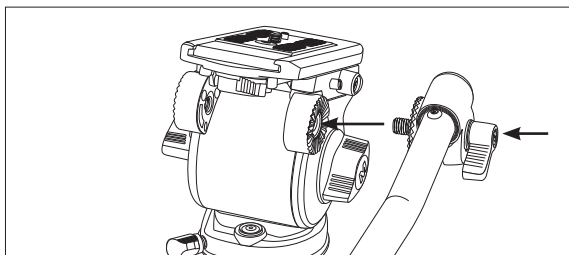


Plant the front leg of the tripod. Lift the back two legs, and pull back to spread the tripod. Adjust the legs' height and positions until the tripod is stable.

Fine-tune the head alignment with the leveling knob. Refer to the bubble level to ensure the head is aligned with the horizon.

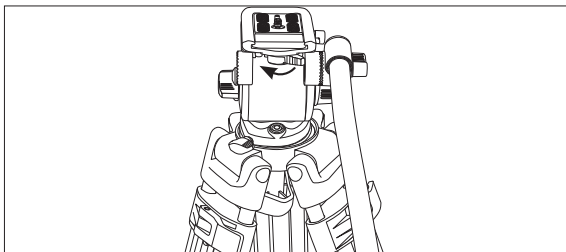


Adjust the angle of the handle by loosening the arm angle lock. To move the handle to the other side of the head, unscrew the lock, and reattach the handle on the opposite side.



Attaching a Camera

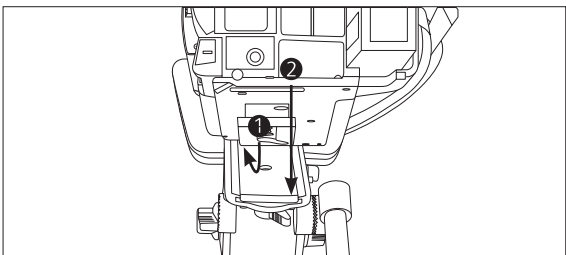
Remove the quick-release plate by sliding the locking lever until it clicks.



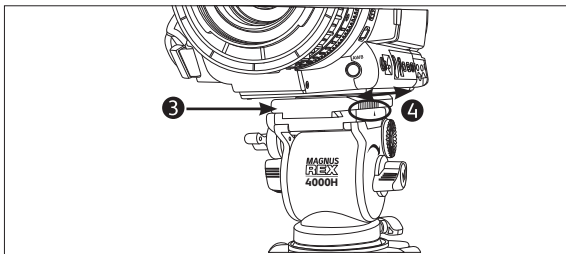
Attach the quick-release plate to the base of your camera with the 1/4-20 mounting screw and guide pin.

If your camera has a 3/8-16 socket, remove the rubber washer from the screw hole, and replace the 1/4-20 with the included 3/8-16 screw.

Attach the camera and quick-release plate to the head by seating one end of the quick-release plate into the back of the mounting plate (opposite the locking lever). **1** Then press the other side down until it locks into place. **2**



To balance the camera, loosen the balance slide lock, **3** and adjust the plate position. **4** Tighten the balance slide lock until secure.



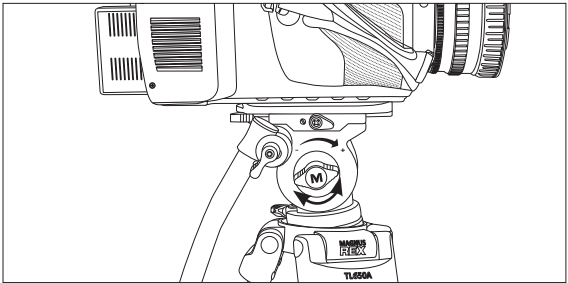
Make a note of your camera's position on the increment scale, so you can easily balance your camera the next time you use it.

Operating the VT-4000-PRO

Turn the pan locking knob clockwise to lock the horizontal position of the camera.

The VT-4000-PRO is designed with fixed pan. When the panning motion is unlocked, the head will always have the same amount of tension. Tighten the tilt lock knob to fix the vertical position of the camera.

Tighten the tilt drag knob for more resistance to counterbalance heavier camera setups and for slower and smoother tilt control.



Five-Year Limited Warranty

This MAGNUS product is warranted to the original purchaser to be free from defects in materials and workmanship under normal consumer use for a period of one (5) years from the original purchase date or thirty (30) days after replacement, whichever occurs later. The warranty provider's responsibility with respect to this limited warranty shall be limited solely to repair or replacement, at the provider's discretion, of any product that fails during normal use of this product in its intended manner and in its intended environment. Inoperability of the product or part(s) shall be determined by the warranty provider. If the product has been discontinued, the warranty provider reserves the right to replace it with a model of equivalent quality and function.

This warranty does not cover damage or defect caused by misuse, neglect, accident, alteration, abuse, improper installation or maintenance. EXCEPT AS PROVIDED HEREIN, THE WARRANTY PROVIDER MAKES NEITHER ANY EXPRESS WARRANTIES NOR ANY IMPLIED WARRANTIES, INCLUDING BUT NOT LIMITED TO ANY IMPLIED WARRANTY OF MERCHANTABILITY OR FITNESS FOR A PARTICULAR PURPOSE. This warranty provides you with specific legal rights, and you may also have additional rights that vary from state to state.

To obtain warranty coverage, contact the Magnus Customer Service Department to obtain a return merchandise authorization ("RMA") number, and return the defective product to Magnus along with the RMA number and proof of purchase. Shipment of the defective product is at the purchaser's own risk and expense.

For more information or to arrange service, visit www.magnustripods.com or call Customer Service at 212-594-2353.



Product warranty provided by the Gradus Group.
www.magnustripods.com

Magnus is a registered trademark of the Gradus Group.

© 2019 Gradus Group LLC. All rights reserved.

GG2