

Godox 神牛

# LED Video Light

## LED 摄影灯



**深圳市神牛摄影器材有限公司**  
GODOX Photo Equipment Co., Ltd.

地址/Add: 深圳市宝安区福永镇福洲大道西新和村华发工业园A4栋  
Building A4, Xinhe Huafa Industrial Zone, Fuzhou RD West, Fuyong  
Town, Baoan District, Shenzhen 518103, China  
电话/Tel: +86-29609320(8062)  
传真/Fax: +86-755-25723423  
邮箱/E-mail: godox@godox.com

705-LE1000-00

Instruction Manual | 说明手册  
Chinese English Bilingual | 中英文双语

**型号: LED1000**

# LED Video Light

Instruction Manual | English



Model: **LED1000**

## Foreword

Thank you for purchasing this Godox product!

This LED1000 video light is excellent for product shooting, photojournalistic and video recording, etc. It provides a wide spectrum, beautifully soft and even illumination for photography. Three models are available: LED1000W White Version (5600K), LED1000Y Yellow Version (3300K), and LED1000C Changeable Version (3300K~5600K).

### Features:

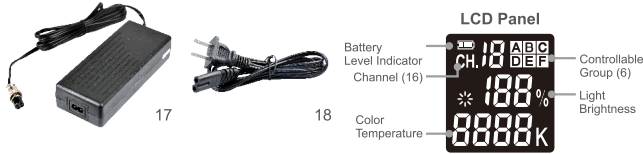
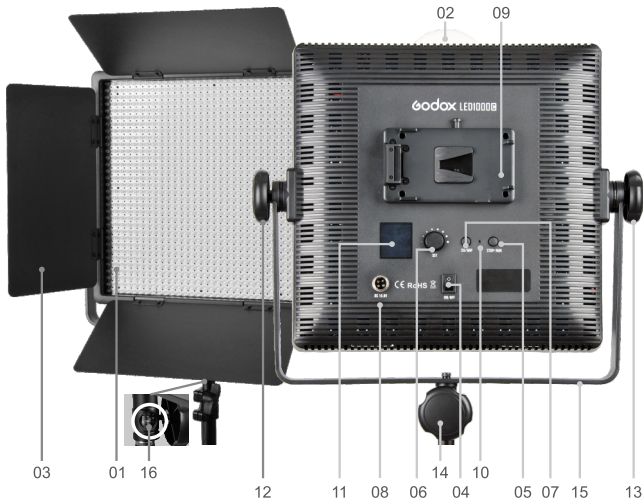
- 1024-LED-bulbs panel is lithium-ion or DC powered
- Three versions to offer more choices
- Wirelessly adjust brightness or color temperature
- Wireless 433MHz grouping system (6 groups & 16 channels)
- Large-sized LCD panel. Settings auto saved.

Type	Model
White Version(Color Temperature 5600K)	LED1000W
Yellow Version(Color Temperature 3300K)	LED1000Y
Changeable Version(Color Temperature 3300K~5600K)	LED1000C

## ⚠ Warning

- ⚠ Always keep this product dry. Do not use in rain or in damp conditions.
- ⚠ Do not disassemble. Should repairs become necessary, this product must be sent to an authorized maintenance center.
- ⚠ Keep out of reach of children.
- ⚠ As this product do not have waterproof function, please take measures of waterproof in rainy or damp environment.
- ⚠ Do not use or store the product if the ambient temperature reads over 50 °C.
- ⚠ Do not use the flash unit in the presence of flammable gases, chemicals and other similar materials. In certain circumstance, these materials may be sensitive to the strong light emitting from this flash unit and fire or electromagnetic interference may result.
- ⚠ Observe precautions when handling batteries
  - Do not put batteries into a fire or apply direct heat to them.
  - Batteries are prone to leakage when fully discharged. To avoid damage to the product, be sure to remove batteries when the product is not used for a long time or when batteries run out of charge.
  - Should liquid from the batteries come into contact with skin or clothing, rinse immediately with fresh water.

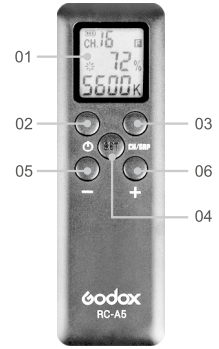
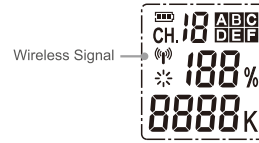
# Parts



- 01. 1024 LED Beads
- 02. Color Filters
- 03. Reflector
- 04. ON/OFF Power Switch
- 05. STOP/RUN Button
- 06. Select Dial + SET Button
- 07. CH/GRP Button
- 08. DC Power Jack
- 09. Lithium Battery Compartment
- 10. Power Indicator
- 11. LCD Panel (White in Blue)
- 12. Knob A
- 13. Knob B
- 14. Knob C
- 15. Bracket
- 16. Bracket Mounting Hole
- 17. Power Adapter
- 18. Power Cord

## Remote Control:

- 01. LCD Panel (Black in White)
- 02. Power Switch
- 03. CH/GRP Button
- 04. SET Button
- 05. "-" Button
- 06. "+" Button
- 07. Battery Compartment Cover
- 08. Battery Compartment Cover



# Power Management

## 1. Power Supply

Two power supply modes are available:



- Using lithium battery: This light uses SONY BP-L model lithium battery (purchased separately).
- Using DC power jack: This light can be powered by DC power supply. Use a 13~16.8V adapter (included) to connect the light with the DC power jack (08).

## Note:

- When using lithium battery, the Battery Level Indicator is displayed on the LCD panel. When the indicator blinks, the lithium battery power is low. Please recharge it immediately before usage in order to avoid forceful auto off.

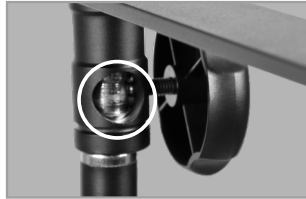
## 2. Installing Lithium Battery

- Turn the Power Switch (04) off.
- Target the socket of the lithium battery towards the "+" "-" contacts of the Battery Compartment (09). Push the battery in until it locks.
- Power the light on.
- After using the light, please power it off.



## Using the Video Light

- Screw the Knob C (14) to the highest point and install the light stand onto the Bracket Mounting Hole (16).
- Tighten the Knob C (14).



## Operation

### 1. Before Usage

- Insert the lithium battery or connect the light with the DC power supply.
- Switch the power on, the Power Indicator (10) is on and the video light giving out light.
- Press the STOP/RUN Button to control the video light on and off
- LCD panel shows the information.



### 2. Light Brightness/Color Temperature Adjustment

#### Adjusting Light Brightness

- Turn the select dial to adjust the light brightness.
- The light brightness adjustable range changes at different color temperature with different models.

Model	Color Temperature	Light Brightness Range
LED1000Y	3300K	10%~100%
LED1000W	5600K	
LED 1000C	3300K/5600K	10%~100%
	3400K~5500K	25%~100%

#### Adjusting Color Temperature

- Press the SET button once and the color temperature icon blinks.
- Turn the select dial to adjust color temperature.

Color temperature range:

White Version	Yellow Version	Changeable Version
LED1000W	LED1000Y	LED1000C
5600K	3300K	3300K~5600K

**NOTE:**Color temperature of LED1000W or LED1000Y is invariable.  
The LCD panel only shows 5600K or 3300K.

### 3. Wireless Remote Control

With 433 MHz wireless system, this product has remote grouping and control function. Up to 6 groups of LED light can be controlled. 16 channels are available with strong anti-interference capability.

Please set the channels and groups of LED video light to the same as those of remote control before usage.

#### Adjusting Channel/Group of the LED Video Light

- Press the CH/GRP button and the group icon blinks. Turn the select dial to choose a group ID (A to F).
- Press the CH/GRP button twice and the channel icon blinks. Turn the select dial to choose a channel ID (1 to 16).

#### Adjusting Channel/Group of the Remote Control

- Press the CH/GRP button and the group icon blinks. Press the "+" "-" button to choose a group ID (A to F).
- Press the CH/GRP button twice and the channel icon blinks. Press the "+" "-" button to choose a channel ID (1 to 16).

#### Adjusting Light Brightness/Color Temperature with the Remote Control

- Press the "+" "-" button to adjust the light brightness.
- Press the SET button of the remote control once and the channel icon blinks. Press the "+" "-" button to adjust the color temperature.

**Note:** The wireless signal can be received only when the LED light is power on.

#### Other Operation Tips:

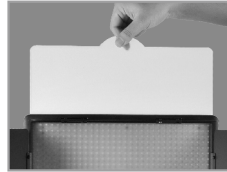
- Pressing the ON/OFF button on the remote control can turn on/off all the LED groups.
- Pressing the "SET" button on the remote control for 2 seconds can turn on/off the current LED group.
- The remote control will auto power off after four hours of idle operation.

#### Tips of Using Remote Control:

- (1)When using the White Version LED1000W, please set the color temperature of the remote control as 5600K constantly;
- (2)When using the Yellow Version LED1000Y, please set the color temperature of the remote control as 3300K constantly;
- (3)Please remove the battery if the light will not be used for an extended period of time.of time.

#### 4. Replacing A Color Filter

- Pinch the edge of the color filter (02) and pull it out upwardly.
- Insert a new color filter in and push it downwardly.  
Then the color filter is securely in position.



## What's in the Box of LED1000?

NO.	Included Item	LED1000W	LED1000Y	LED 1000C
1	LED Video Light	1 PCS	1 PCS	1 PCS
2	Remote Control	1 PCS	1 PCS	1 PCS
3	Power Adapter	1 PCS	1 PCS	1 PCS
4	Power Cord	1 PCS	1 PCS	1 PCS
5	Diffusion Filter	1 PCS	1 PCS	1 PCS
6	Yellow Filter	1 PCS	NO	NO
7	Blue Filter	1 PCS	NO	NO



LED Video Light



Remote Control



Power Adapter



Power Cord

# Technical Data

LED1000 Video Light	White Version LED1000W	Yellow Version LED1000Y	Changeable Version LED1000C
Lithium Battery	14.8V Lithium Battery(SONY BP-L model lithium battery) (sold separately)		
DC Power Supply	13~16.8V		
Channel	16		
Group	6 groups(A,B,C,D,E,F)		
Power	Max. 70W		
Color Temperature	5600K±300K	3300K±300K	3300K~5600K ±300K
Brightness(LUX)	4400(1m)	4400(1m)	4400 (1m/4200K)
			2200 (1m/3300K)
			2200 (1m/5600K)
Light Brightness Range	10%~100%	10%~100%	3300K/5600K :10%~100%
			3400K~5500K :25%~100%
LED Beads Quantity	1024	1024	5600K : 512
			3300K : 512
Operation Temperature	-10~50 °C		
Dimension	430*460*100mm		
Net Weight	2.44kg		

Remote Control	RC-A5
Power Supply	3.0V(AAA*2)(not include)
Wireless Frequency	433MHz
Distance(emptyness)	20m
Channel	16
Group	6 groups(A, B, C, D, E, F)
Standby Time	Over one year
Operation Temperature	-10~50 °C
Dimension	120mm*38mm*15mm
Net weight	30g

\* Product design and specifications are subject to change without notice.