

impact™



Bulbs are not included.

FF-OF4 Octa 4 Socket Fluorescent Fixture INSTRUCTIONS

Precautions

- Please read and follow these instructions and keep this manual in a safe place
- Keep this product away from water and any flammable gases or liquids.
- Use only the correct, recommended voltage.
- Do not attempt to disassemble or repair this product, since doing so could cause shock. It will also void the warranty.
- Clean this product with only a soft, dry cloth.
- Keep this product away from children.
- Make sure that this product is intact and that there are no missing parts.
- All photos are for illustrative purposes only.

Specifications	FF-OF4
Input Voltage	100~240 VAC 50/60 Hz
Lamps	4 CFLs (Compact Fluorescent Lamps) Only
Ballast	In lamps
Mounting	5/8" (16 mm)
Dimensions	Diameter: 6" (15.2 cm) Depth: 6" (15.2 cm)
Weight	1.3 lb. (590 g)
Cord Length	11' (3.3 m)

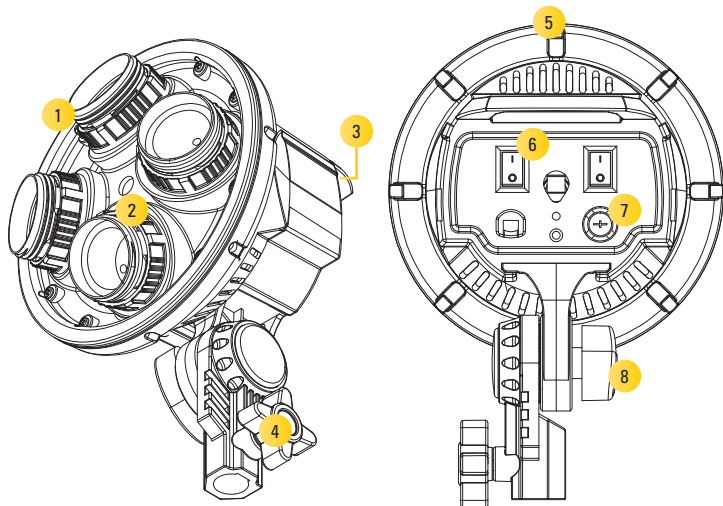
Introduction

Thank you for choosing the Impact FF-OF4 Octa 4-socket fluorescent fixture; a compact and portable lighting fixture that uses Edison-base compact fluorescent lamps (CFL) up to 85 W per socket. It is ideal to use when a soft and diffuse light source is needed. When fitted with the Octa Softbox FF-OSB60; the FF-OF4 will also provide excellent round catch-light lighting.

Two rocker switches on the back panel provide control over the selection of your lights, while the low operating temperature of fluorescent bulbs lets you comfortably place the lights closer to your subject without discomfort. The FF-OF4 mounts on any 5/8" stud, and its built-in umbrella socket provides another lighting option. Multi-voltage circuitry (100~240V/50/60 Hz), allows you to plug in the FF-OF4 anywhere with the correct plug adapter (not included).

The FF-OF4 offers a practical and economical solution for digital lighting applications in studio, home, or office locations.

Overview



Front view:

1. Sockets (4)
2. Umbrella socket
3. Handle
4. Locking mount knob

Back view:

5. Flex rod sockets (8)
6. Power switches (2)
7. Fuse
8. Locking tilt knob

Warning:

Use only spiral fluorescent bulbs.

Do not exceed 105 W CFL in any socket.

Maximum of 85 W CFL bulb is recommended for each socket in a 4-bulb operation.

Instructions - Install the lights

Important: The FF-OF4 should only be used with CFLs. Do not use incandescent bulbs in this fixture.

1. Screw each bulb into a light socket. Only touch the base of the bulb; never touch the glass itself.

Mounting on a light stand

1. Loosen the locking mount knob at the bottom of the fixture and insert the fixture onto the light stand.
2. Tighten the locking knob and make sure the fixture is securely attached to the light stand.
3. To change the angle of your lights, hold onto the handle on the back of the fixture and loosen the locking tilt knob. Tighten the tilt knob when you have adjusted the angle of the fixture.



Operating the lights



1. Each power switch on the back panel operates two bulbs. Switch one or both of them to the ON position according to your lighting needs.

Changing the fuse



1. Using a small slotted or Phillips head screwdriver, turn the fuse holder a quarter-turn counter-clockwise. The fuse holder will pop out of the fuse socket.
2. Remove the fuse holder from the back panel and remove the old fuse.



3. Insert the replacement fuse into the fuse holder and inset it back into the fuse socket.
4. With your screwdriver, push the fuse holder back into the fuse socket and turn clockwise until it locks into place.

Recommended Accessories



Impact Octa Softbox FF-OSB60

The Impact Softbox for FF-OF4 is a 24" (60 mm) softbox with a removable front diffuser that supplies soft, uniform, and diffuse light and also provides round catch-light lighting.



Impact LS-8A Light Stand

The Impact LS-8A Light Stand is one of the most economical light stands available. It extends to a maximum height of 8' and has a standard 5/8" stud on top with a 1/4"-20 thread.

Other Accessories

- Impact Swivel Umbrella Adapter (CA-108)
- Impact Super Clamp with T-Handle (CC-106T)
- Impact 3 Section Double Articulated Arm without Bracket (BHE-119)
- Impact Combo Boom Stand – 12.95' (LS-CB6)
- Impact Double Ball Joint Head (CC-131)
- Impact Holder for Collapsible Reflectors (ME-109)

Troubleshooting

Problem	Solution
Lights don't turn on.	<ul style="list-style-type: none">• Make sure the plug of the FF-OF4 is completely plugged into the outlet.• Make sure the power switches on the back of the fixture are in the ON position• Replace the fuse.

One-Year Limited Warranty

This IMPACT product is warranted to the original purchaser to be free from defects in materials and workmanship under normal consumer use for a period of one (1) year from the original purchase date or thirty (30) days after replacement, whichever occurs later. The warranty provider's responsibility with respect to this limited warranty shall be limited solely to repair or replacement, at the provider's discretion, of any product that fails during normal use of this product in its intended manner and in its intended environment. Inoperability of the product or part(s) shall be determined by the warranty provider. If the product has been discontinued, the warranty provider reserves the right to replace it with a model of equivalent quality and function.

This warranty does not cover damage or defect caused by misuse, neglect, accident, alteration, abuse, improper installation or maintenance. EXCEPT AS PROVIDED HEREIN, THE WARRANTY PROVIDER MAKES NEITHER ANY EXPRESS WARRANTIES NOR ANY IMPLIED WARRANTIES, INCLUDING BUT NOT LIMITED TO ANY IMPLIED WARRANTY OF MERCHANTABILITY OR FITNESS FOR A PARTICULAR PURPOSE. This warranty provides you with specific legal rights, and you may also have additional rights that vary from state to state.

To obtain warranty coverage, contact the Impact Customer Service Department to obtain a return merchandise authorization ("RMA") number, and return the defective product to Impact along with the RMA number and proof of purchase. Shipment of the defective product is at the purchaser's own risk and expense.

For more information or to arrange service, visit www.impactstudiolighting.com or call Customer Service at 212-594-2353.



Product warranty provided by the Gradus Group.
www.gradusgroup.com

IMPACT is a registered trademark of the Gradus Group.
© 2015 Gradus Group LLC. All Rights Reserved.