






# The ProfessionalWide SourceBook

# Section 4

## CAMERA SUPPORT

Anton/Bauer .....	384
EasyRig .....	385
Glidecam .....	386-393
Manfrotto .....	394-395
PAG.....	396
Quad Pod .....	397
Sachtler.....	398-399
Steadicam .....	400-402
Varizoom.....	403-409

Obtaining information and ordering from B&H is quick and easy. When you call us, just punch in the corresponding Quick Dial number anytime during our welcome message. The Quick Dial code then directs you to the specific professional sales associates in our order department.

 For Section 4, Camera Support  
use Quick Dial #: 821

## EGRIPZ

### Handheld Camera Support

While smaller than their shoulder mounted cousins, today's handheld cameras often pack so many controls and so little grip area that the very camera movements they were intended to make possible are restricted by the operator's inability to literally find a place to hold the camera. With the introduction of professional high definition cameras in handheld format, "handheld" cameras may weigh as much as 6 lbs. – not an easy weight to manage all day with only one hand.



EgripZ is like having an extra hand to manage the camera. Weighing just 12.2 oz, it easily mounts to the camera's 1/4-20 tripod socket. EgripZ can flex into virtually any position around the camera adapting to any shooting configuration without getting in the way of normal camera operation. EgripZ fully flexible core can be shaped around the camera to fit the shot and EgripZ handles are formed from a flexible polymer to make the camera easier to hold securely and comfortably – on the hottest day or in the trickiest of positions.

One hand operation is more comfortable with EgripZ as a forearm support – preventing the camera from "rolling" on the operator's wrist. Low shots are much easier and steadier with two hands to stabilize the camera. High perspectives are more achievable with two handed control. EgripZ also features 1/4-20 mounting on its base, so it can attach easily to a monopod for additional stability.



**EgripZ Handheld Camera Support** (Mfr # EGRIPZ • B&H # ANEGRIPZ).....**59.95**

## STASIS FLEX Shoulder Mount

Not simply a shoulder mount, Stasis Flex redirects the geometry of a handheld camera to make use of the most stable platform in the world —the human body. By redirecting the weight of the camera into the torso and over the shoulder, the weight of the camera is redistributed - off the operators hand, relieving fatigue and stabilizing shooting. Today's handheld cameras vary widely in size and weight, in location of viewfinder and LCD monitor, in center of gravity - even in operating voltage. Stasis Flex accommodates them all. Revolutionary, patent pending infinitely adjustable mechanism which allows the operator to position the camera in virtually any shooting position - forward/back, in/out, up/down - the camera can be repositioned instantly and locked in place at the touch of a lever. No tools, no knobs to adjust, no hassle.



- ◆ Stasis Flex can be used as a standalone body support, with hard points on the rear pad to mount peripherals - like wireless receivers, hard drives or transmitters.
- ◆ Attach an industry standard Gold Mount and the full array of Anton/Bauer Gold mount batteries can be used to extend runtime, power additional devices including lights, and provide a counterbalance to further stabilize the camera.
- ◆ For those already using the ElipZ system, the StasisFlex allows the ElipZ to be removed from the bottom of the camera and placed on the rear mounting deck.

**Stasis Flex Shoulder Mount** (Mfr # SF • B&H # ANSF) .....**279.95**

#### Gold Mount with DC-DC Converter

For 6v to camera - 14v to PowerTap connector. With cable and connector for Sony cameras (Mfr # FGMS • B&H # ANFGMS) for Panasonic cameras (Mfr # FGMP • B&H # ANFGMP) .....**179.95**

#### Gold Mount with Cable and Camera Connector

For Sony EX-1 (Mfr # FGMEX1 • B&H # ANFGMEX1).....**179.95**

## EASyRIG

## Portable Camera Support System

*EasyRig is cost-effective, portable camera support which can be used with both film and video cameras. Ergonomically designed, EasyRig reduces the static load on the neck and shoulder muscles, and distributes it to other parts of the body which are more capable of handling it.*



*The EasyRig gives you the speed and mobility of a hand-held camera, while still achieving steady shots from the shoulder and hip. Specially designed suspension lines with shock absorbers accept the weight of your camera and redistribute the majority to your hips, where it is more efficiently supported. EasyRig gives you the speed and mobility of a handheld camera without sacrificing steady shots from the shoulder and hip. Ideal for news broadcasts,*

*sport events, documentaries, commercials or many other hand-held situations where stability is crucial and where the freedom to move is essential.*



## Each EasyRig includes a Carrying Case

**EasyRig 300:** Load capacity of 11-17 lbs.  
(Mfr # ERIG300 • B&H # EAER2300) .....**2686.50**

**EasyRig 400:** Load capacity of 17-22 lbs.  
(Mfr # ERIG400 • B&H # EAER2400) .....**2699.95**

**EasyRig 500:** Load capacity of 24-28 lbs.  
(Mfr # ERIG500 • B&H # EAER2500) .....**2789.95**

**EasyRig 600N:** Load capacity of 28-33 lbs.  
(Mfr # ERIG600 • B&H # EAER2600) .....**2699.95**

**EasyRig 700N:** Load capacity of 33-44 lbs.  
Designed for 35mm film cameras.  
(Mfr # ERIG700N • B&H # EAER2700N) .....**2999.95**

**EasyRig 850N:** Load capacity of 42-55 lbs.  
Designed for 35mm film cameras.  
(Mfr # ERIG850 • B&H # EAER2850N) .....**3199.95**

## Additional/Interchangeable Support Bars

**Support Bar 300:** Load capacity of 11-17 lbs.  
(Mfr # ERIGSB300 • B&H # EASBER2300) .....**1519.95**

**Support Bar 400:** Load capacity of 17-22 lbs.  
(Mfr # ERIGSB400 • B&H # EASBER2400) .....**1519.95**

**Support Bar 500:** Load capacity of 24-28 lbs.  
(Mfr # ERIGSB500 • B&H # EASBER2500) .....**1519.95**

**Support Bar 600:** Load capacity of 28-33 lbs.  
(Mfr # ERIGSB600 • B&H # EASBER2600) .....**1519.95**

**Support Bar 700:** Load capacity of 33-44 lbs.  
Designed for 35mm film cameras.  
(Mfr # ERIGSB700 • B&H # EASBER2700) .....**1669.95**

## TURTLE-X Camera Support System



*Like EasyRig, the ergonomically-designed Turtle-X reduces static load to the arm and shoulder muscles by redistributing camera weight to the hips where it's easily supported. It also provides today's lightweight DV and HDV cameras with added stability. Turtle-X utilizes an overhead support arm, back support bar, hip belt, and integral padded backpack capable of carrying all necessary camera gear. Combining the speed and mobility of handheld shooting with the increased steadiness provided by a support system, Designed for DV/HDV*

*cameras up to 8.8 lbs., which are susceptible to shakiness when used handheld. Turtle X also makes it easy for shooters to conduct interviews without assistance, thanks to nearly hands-free operation of the camera.*

- ◆ Camera and accessories such as mics, lights batteries and cables may be protectively stored within the nine internal pockets of the backpack.
- ◆ Unlike other support systems the Turtle-X is completely self-contained. The backpack may be quickly and effortlessly converted into a stabilizer system in no time at all.
- ◆ Ideal for today's HDV cameras, the Turtle X reduces fatigue, stabilizes your shots and offers your camera great protection while being transported or in storage.
- ◆ Turtle-X gives you the speed and mobility of a handheld camera, while still achieving steady shots from the shoulder, the hip or knee level.
- ◆ Ideal for news broadcasts, sport events, documentaries, commercials or any other handheld situations where stability is crucial and freedom to move is essential.

**Turtle-X Camera Support System** (Mfr # ERIGTURTLEX • B&H # EATXCS) .....**1299.95**

**2000 PRO • 4000 PRO**

## Camera Stabilization Systems

*Imagine a world in balance. Imagine smoothness, freedom and grace. With the Glidecam 2000 PRO and 4000 Pro your camcorder floats, always balanced, isolated from your hand's undesirable motions. Now you are free to move with your camera – panning, tilting, booming or running – without any camera instability or shake. Lightweight, hand-held camcorder stabilizing systems they allow you to shoot incredibly smooth and graceful shots, even while running up and down stairs or traveling over rugged terrain. And when it comes to normal shooting, like walking or moving the camera slowly around someone, the results are equally magical. Shot after shot, move after move, they deliver beautifully smooth and professional results. No more need for a tripod or a dolly — now all you need is your imagination!*

**FEATURES**

- ◆ The 2000 Pro is 14" tall and supports any camcorder weighing up to 6 pounds. The 4000 Pro is 18" tall and supports any camcorder weighing from 4-10 pounds.
- ◆ Offset handle grip is attached to a free floating precision Gimbal, allowing hand movement up and down and side to side, isolating unwanted hand interference from the camera. The up and down movement alleviates the bouncing pogo-type action associated with other systems whose handles can't move up and down.
- ◆ You can shoot upside-down, sideways, low near the ground, overhead and angled, as in a Dutch shot.
- ◆ Easy to set up and balance, they allow unrestricted booming and 360° panning.
- ◆ The system's free floating, precision gimbal includes integrally shielded bearings, two of which are housed in the unique Offset Handlegrip. These precision bearings create the super-smooth and pivotable connection between your arm and the unit's Central Support Post.
- ◆ The camera platform moves back and forth and side to side, allowing quick adjustment of your camera's horizontal balance. Camera's vertical balance is adjusted by varying the amount of counterweight disks on the base platform.
- ◆ The counterweights on the Base Platform can be quickly attached or adjusted while the system is resting upright on its base.
- ◆ Camera mounting platform (x-y motion table) measures 4" x 6" on the 2000 Pro and 5.25" x 8" on the 4000 Pro. The 2000 has 1/4" mounting holes, the 4000 1/4" and 3/8" in the head plate for camera mounting.
- ◆ For remote viewing, an optional LCD monitor can be attached to the mounting holes on the base platform.

**2000 PRO** (Mfr # GL2000; B&H # GLGL2000) .....**299.95**

**4000 PRO** (Mfr # GL4000; B&H # GLGL4000) .....**389.95**

**GLIDECAM 2000 PRO/4000 PRO ACCESSORIES**

**Body-Pod** (Mfr # BODY-POD; B&H # GLGCBP): A lightweight rigid support system, which when used with the 2000 or 4000 Pro, allows the weight of the system to be supported by your body, so you can shoot in cushioned comfort for indefinite periods of time. By taking the stabilizers weight out of your hands and arms and putting in on your waist and shoulders, stress and fatigue are virtually eliminated.

The Body-Pod allows you to slide the handle of either the 2000 or 4000 on and off its rigid support, so you can quickly switch back and forth between hand-held stabilization shooting and body-mounted shooting.

Since the support of the Body-Pod is rigid and for the most part inflexible, it will not absorb and smooth out camera movements as well as a stabilizer which is held in just your hands. However, shooting with the stabilizer attached to the Body-Pod will yield results that are far better than unstabilize, hand-held shooting.....**169.95**

**Forearm Support Brace**

Distribute the weight of the system over your entire forearm.

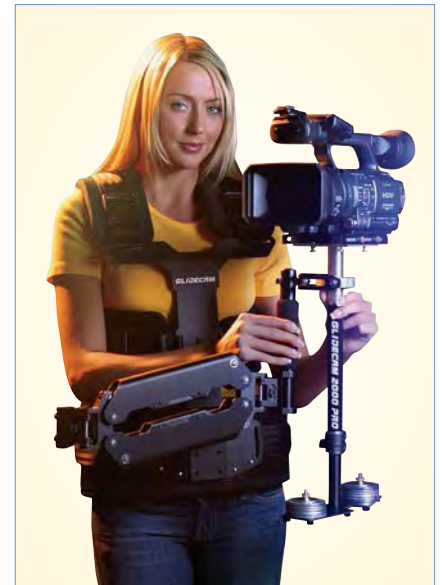
The weight of the system is supported evenly by Glidecam's exclusive and unique, exoskeletal forearm support brace. The brace provides cushioned comfort while shooting and eliminates torque, which would otherwise cause stress on your wrist. With the forearm brace, the Glidecam system becomes an extension of the human body for smooth and natural shooting.

(Mfr # OREARMBRACE; B&H # GLGCFB) .....**149.95**

## SMOOTH SHOOTER

### Body-Mounted Stabilization System

Specifically designed for the 2000 Pro or 4000 Pro, the meticulously engineered Smooth Shooter is the world's most sophisticated and affordable body-mounted stabilization system for cameras weighing up to 6 lbs. when used with the 2000 Pro, or for cameras from 4 to 10 lbs. when used with the 4000 Pro. The Smooth Shooter system lets you walk, run, go up and down stairs, shoot from moving vehicles and travel over uneven terrain without any camera instability or shake. Its ability to shoot smooth imagery within its weight range is extraordinary. It outperforms all of the competition in its class, yet remains truly economical. With the Smooth Shooter you'll be able to acquire the type of smooth footage you've always dreamed of. The Smooth Shooter isolates your body's motion from your camera, while your camera is balanced in a relatively motionless and isolated state. It's Support Arm can be boomed up and down, as well as pivoted in and out, and side-to-side. The combined booming and pivoting action of the support arm is what isolates your motions from the camera.



You can use your camcorder's flip out LCD monitor, or a monitor that is attached to the base of your 2000 Pro or 4000 Pro. This allows for remote viewing of the camera's image without disturbing the orientation of the system. When using the 2000 Pro or 4000 Pro in hand-held mode, it is your arm that carries all of the weight. However, when the 2000 Pro or 4000 Pro are used with the Smooth Shooter, it is the Smooth Shooter's spring-loaded Support Arm that carries all of the weight. Because of this, you will now be able to shoot for extended periods of time, whereas before, the stress associated with hand-holding the weight reduced your shooting time.

#### Smooth Shooter Support Vest



The Smooth Shooter Support Vest is light-weight and comfortable can be adjusted to fit a wide range of operators. High endurance, dual density, EVA foam padding and

integral T6 aluminum alloy create a vest which can hold and evenly distribute the weight of the system across the operator's shoulders, back, and hips. Made with 1000 denier cordura fabric, and 7-panel seat belt strapping. For safety, quick release, high impact buckles allow the vest to be removed quickly.

#### Smooth Shooter Support Arm



The Smooth Shooter's Dyna-Elastic Support Arm incorporates more than twenty precision radial bearings within its machined T6 aluminum structure. The placement and implementation of these double-shielded bearings produce minimal friction and allow the Support Arm to pivot and boom very smoothly, and with virtually no noise.

Two high-carbon alloy, Extension Springs are employed within the Support Arm's hardcoat anodized Exo-Skeletal Shell. Utilizing Class Three Levers, the energy of the Extension Springs acts upon internal Fulcrum Points, and provides the Support Arm with its lifting power. The spring tension is field adjustable and allows for varying camera weights. Proprietary spring Inter-X-Change system makes the installation and removal of the springs quick and easy. The Support Arm can be setup and used in either a One-Spring Mode, or a Two-Spring Mode. In the One-Spring Mode, the Support Arm can hold a total combined camera and hand-held stabilizer weight of 9 pounds. In the Two-Spring Mode, the Support Arm can hold a total combined camera and hand-held stabilizer weight of 18 pounds. A key design feature of the Support Arm is that it incorporates Light-Force technology. This literally means that only a "light" force or effort is required by the operator to hold the arm at any given position, or to boom the arm up and down. It is this Light-Force feature that provides the operator with the optimum amount of camera buoyancy or float.

**Smooth Shooter** (Mfr # GLSSH • B&H # GLSS): Support System (vest and arm) for the Glidecam 2000 Pro and 4000 Pro ..... **1389.95**

### X-10

## Add-on Camera Stabilization System

The X-10 is a highly advanced, professional camera stabilization system designed for cameras weighing up to 6 lbs. when used with the Glidecam 2000 Pro, or for cameras weighing from 4 to 10 lbs. when used with the 4000 Pro. The X-10 will allow you to walk, run, go up and down stairs, shoot from moving vehicles and travel over uneven terrain without any camera instability or shake.

Similar in design to the Glidecam Smooth Shooter (previous page); except the X-10 comes with both sections of its support arm being able to move vertically, whereas with the Smooth Shooter only the front section of its support arm is able to move vertically. Also, the X-10 comes with a trimmable Arm-to-Vest Connector, whereas the Smooth Shooter's Arm-to-Vest Connector is not trimmable.

The X-10 system works by isolating your body's motion from your camera, while your camera is balanced in a relatively motionless and isolated state. The X-10's Support Arm can be boomed up and down, as well as pivoted in and out, and side-to-side. It is the combined booming and pivoting action of the Support Arm that isolates your motions from the camera in a way that creates smooth camera footage.



### FEATURES

#### X-10 with the Glidecam 2000 Pro or 4000 Pro

The X-10 does not come with a Glidecam 2000 Pro or 4000 Pro; however, it is designed to be used with them only. If you already own one of these hand-held stabilizers, then you can use it by simply attaching it to the end of the X-10's Support Arm. Neither the 2000 Pro nor the 4000 Pro need to be modified to work with the X-10. You can use your camcorder's flip out LCD monitor, or a monitor that is attached to the base of the 2000 Pro or 4000 Pro. This allows for remote viewing of the camera's image without disturbing the orientation of the system.

When using the 2000 Pro or 4000 Pro in hand-held mode, it is your arm that carries all of the weight. However, when the 2000 Pro or 4000 Pro are used with the X-10, it is the X-10's Spring-loaded Support Arms that carry all of the weight. Because of this, you will now be able to shoot for extended periods of time, whereas before, the stress associated with hand-holding the weight reduced your shooting time. The X-10 is a highly developed and meticulously engineered camera stabilization system. It out performs all of the competition in its class, yet remains truly economical. It is the realization of the need to stabilize lightweight cameras using the same degree of sophistication employed to stabilize heavy cameras.

#### X-10 Support Arm

The X-10's Dyna-Elastic Dual-Articulating Arm has a proprietary spring Inter-X-Change system that makes the installation and removal of the springs quick and easy. The Arm can be setup and used in either a 2-Spring Mode, or a 4-Spring Mode. In the 2-Spring Mode, the Arm can hold a total combined camera and hand-held stabilizer weight of 9 lbs. In the 4-Spring Mode, the Arm can hold a total weight of 18 lbs.

A key design feature of the Support Arm is that it incorporates Light-Force technology. This literally means that only a "light" force or effort is required by the operator to hold the arm at any given position, or to boom the arm up and down. It is this Light-Force feature that provides the operator with the optimum amount of camera buoyancy or float.

#### X-10 Support Vest

The X-10's Vest is lightweight, comfortable and can be adjusted to fit a wide range of operators. High endurance, dual density, EVA foam padding and integral T6 aluminum alloy create a vest which can hold and evenly distribute the weight of the system across your shoulders, back, and hips. For safety, quick release, high impact buckles allow the vest to be removed quickly. The Vest's outer shell is made of 1000 denier cordura fabric, and 7-panel seat belt strapping, noted as being the best in the industry.

A unique and proprietary Arm-to-Vest Connector allows the angle of the Support Arm to be adjusted relative to the Vest. This allows you to neutralize the weight of the Arm relative to your body's center of gravity. When set correctly the effort required while shooting is greatly reduced. The connector also allows the Arm to be attached and removed from the Vest without affecting the operator's selected trim settings.

<b>X-10 Dual Support Arm Stabilizer Vest System</b> (Mfr # X-10 • B&H # GLX10): For Glidecam 2000 Pro and 4000 Pro .....	<b>2199.95</b>
<b>X-10 Upgrade Kit</b> (Mfr # SSHX10UP • B&H # GLSSHX10UP): From Smooth Shooter to X-10 .....	<b>969.95</b>
<b>X-10 with Glidecam 2000 Pro</b> (B&H # GLX10K1) .....	<b>2399.95</b>
<b>X-10 with Glidecam 4000 Pro</b> (B&H # GLX10K2) .....	<b>2499.95</b>

## X-22

Professional Camera  
Stabilization System

The Glidecam X-22 is a professional, body-mounted, camera stabilization system designed for film and video cameras weighing up to 22 pounds. Its system incorporates advanced engineering and precision machining. The X-22 is the most versatile and affordable system available today for cameras up to 22 pounds. The complete system is comprised of a Vest, Support Arm and Sled.



## FEATURES

## X-22 Support Vest

- ◆ The X-22 Support Vest is lightweight and comfortable, and can be adjusted to fit a wide range of operators. High endurance, dual density, EVA foam padding and integral T6 aluminum alloy create a vest that can hold and evenly distribute the weight of the system across the operator's shoulders, back, and hips.
- ◆ For safety, quick release, high impact buckles allow the vest to be removed quickly. The Vest's outer shell is made of 1000 denier cordura fabric, and 7-panel seat belt strapping, noted as being the best in the industry. The Glidecam X-22 Vest incorporates a unique and proprietary Arm-to-Vest Connector that allows the Support Arm to be attached and removed from the Vest without affecting the operator's trim settings.
- ◆ The X-22 Support Vest incorporates a unique and proprietary Arm-to-Vest Connector that allows the angle of the Support Arm to be adjusted relative to the Support Vest. This Trimming Mechanism allows you to neutralize the weight of the Support Arm relative to your body's center of gravity. When set correctly the effort required while shooting is greatly reduced. Another unique and proprietary feature of the Arm-to-Vest Connector is that it allows the Support Arm to be attached and removed from the Vest without affecting the operator's selected trim settings.

## X-22 Support Arm

- ◆ The X-22's Dyna-Elastic Dual-Articulating Support Arm incorporates precision radial bearings and needle roller bearings within its machined T6 aluminum structure. The placement and implementation of these bearings produce minimal friction and allow the Dyna-Elastic Support Arm to pivot and boom very smoothly, and with virtually no noise.
- ◆ Four high-carbon alloy, Extension Springs are employed within the Support Arm's hardcoat anodized Exo-Skeletal Shells. Utilizing Class Three Levers, the energy of the Extension Springs acts upon internal Fulcrum Points, and provides the Support Arm with its lifting power. The spring tension is field adjustable and allows for varying camera weights.
- ◆ Glidecam's proprietary spring Inter-X-Change system makes the installation and removal of the springs quick and easy. The Support Arm can be set up and used in either a Two-Spring Mode, or a Four-Spring Mode.
- ◆ A key design feature of the Support Arm is that it incorporates Light-Force technology. This literally means that only a "light" force or effort is required by the operator to hold the arm at any given position, or to boom the arm up and down. It is this Light-Force feature that provides the operator with the optimum amount of camera buoyancy or float.

## X-22 Sled

- ◆ The Glidecam X22 sled holds any video or film camera weighing up to 22 pounds. The X-22 Sled incorporates sophisticated engineering and precision machining to make it lightweight and strong.
- ◆ The precision, X-Y adjustable Head assembly incorporates a drop in style dovetail camera plate for quick front to back balance. Very, fine tuning, ergonomic knobs control front to back and side to side balance adjustments.
- ◆ The Sled's "no-tools" precision Gimbal is made to top of the line quality. The Gimbal incorporates 4 bearings inside the handle to yoke connection (the tilt axis). There are 2 bearings on each side of the yoke, providing 4 bearings for the roll axis. A very tight knurling has been machined onto the Gimbal Tube to improve handling. An easy to replace soft foam covers the handle grip.
- ◆ The Glidecam X-22 Sled has a "no-tools" Telescoping Center Post. This allows you to easily adjust the sled length and position of the LCD and battery. The Glidecam X-22 base platform can be set up with one Anton Bauer or V-Mount style battery.
- ◆ On the bottom of the Sled is the Glidecam L7 Pro. A daylight-viewable 16:9/4:3 switchable TFT active matrix LCD monitor, the L7 Pro works perfectly when used as a remote viewing monitor on the base platform.

**X-22 Professional Camera Stabilization System** (Mfr # X-22): Includes support vest, support arm and sled. Weighs 22 lbs ..... **CALL**

**V-16 • V-20**

## Camera Stabilization Systems (up to 30 lbs)

*The V-16 and V-20 allow you to walk, run, go up and down stairs, shoot from moving vehicles and travel over uneven terrain without any camera instability or shake. Designed primarily for professional video and 16mm motion picture cameras, the V-16 supports and stabilizes cameras weighing from 10 to 20 pounds, the V-20 from 15 to 30 pounds.*

*Both are perfect for shooting the type of ultra-smooth tracking shots that take your audience and client's breath away — instantly adding high production value to every scene. With either of the "V" series stabilizers, you will be able to offer the type of professional shooting techniques that were previously available only to clients with full budgets. Whether you are shooting commercials, corporate video, documentaries, music videos, news, or full length motion pictures, the "V" series will take you where few others have traveled.*

### GLIDECAM V-16 & V-20 SYSTEM COMPONENTS

#### The Support Vest

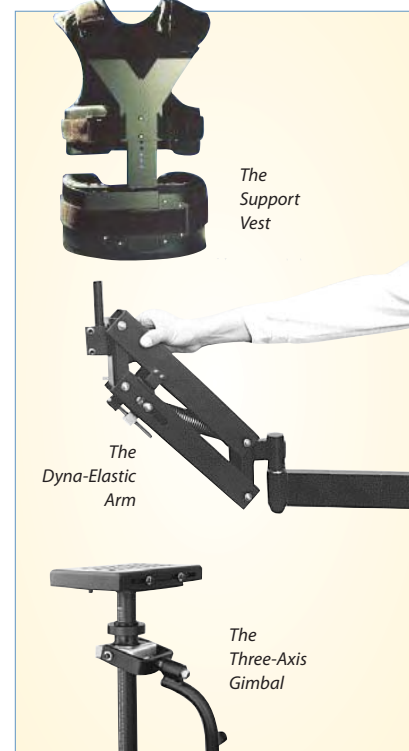
Lightweight and comfortable, the Support Vest can be adjusted to fit a wide range of operators. High endurance, closed cell, EVA foam padding and integral T6 aluminum alloy create a vest which can hold and evenly distribute the weight of the Glidecam V-16 and Glidecam V-20 systems across the operator's shoulders, back, and hips. For safety, quick release, high impact buckles allow the vest to be removed quickly.

#### The Dyna-Elastic Arm

The exoskeletal, Dyna-Elastic adjustable Support Arm is designed to counteract the weight of the combined camera and camera mounting assembly by employing high carbon alloy springs. The arm may be boomed up and down, as well as pivoted in and out, and side to side. It is the combined booming and pivoting action of the Arm which isolates the motions of the operator from the camera in a way that creates ultra-smooth shots. The spring force is field-adjustable to allow for varying camera weights. For safety, a dual-spring design is employed to reduce spring failure damage.

#### The Three-Axis Gimbal

A free-floating, precision Gimbal, incorporating integrally shielded bearings, creates the super smooth and pivotal connections between the front end of the Dyna-Elastic Arm and the camera mounting assembly. The three-axis gimbal provides the operator with finger-tip control over fluid tilting, panning and rolling. A locking mechanism allows the Gimbal to be placed at varying positions on the central support post. Moving the Gimbal effectively adjusts the system's center of gravity. The upper portion of the Sled's central support post includes guide markings. These markings allow for accurate gimbal positioning.



## V-16 • V-20

### THE CAMERA MOUNTING ASSEMBLY



The rugged and adjustable Camera Mounting Assembly (the 'Sled') is designed with a lower telescoping Center Post which allows for vertical balance adjustments as well as varying lens heights. The Center Post can be adjusted from 22" to 32". The Camera Mounting Platform (or x-y motion table) moves back and forth, and side to side to allow adjustment of the system's horizontal balance. The camera plate has both 1/4" and 3/8" mounting slots (holes) to accommodate a variety of camera bases. For remote viewing, an LCD monitor can easily be attached to a variety of mounting holes on the Base Platform, or either a LCD or CRT monitor can



be attached to the base's adjustable Monitor Bracket. The Base Platform can also be configured to use fine counterbalance weight disks (included) in the event you choose not to use a monitor and/or a battery on the Base Platform as counterbalance. The back of the Base Platform has threaded mounting holes for an Anton Bauer Gold Mount battery adapter plate. A variety of other mounting holes are supplied on the Base so you can easily customize it to fit your needs. Adjustable "Kick-Stands" on both sides of the Base give the Sled more stability when resting on the ground. Camera, monitor, cables, battery and battery plate not included.

### Accessories for V-16 and V-20

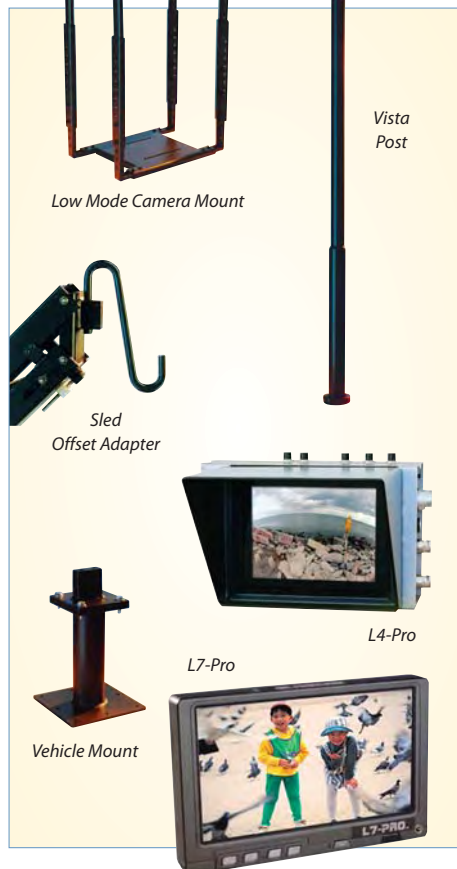
The optional accessories for the V-16 and V-20 are designed to allow you to capture the type of dynamic and creative shots that are only achieved in extreme compositional shot requirements, or with unusual camera placements, such as those where the camera is low near the ground, up high above your head, or attached to a moving platform or vehicle. With these accessories, getting those ever-so-dynamic shots that you have been dreaming of is now within your reach.

**Low Mode Camera Mount (GLV16LMM)**  
Facilitates creativity and allows for more dynamic shooting. A wider range of shots can be taken through the ability to shoot from lower angles. The mount can be adjusted depending on the height of the camera used .....**439.95**

**Sled Offset Adapter (GLSOA)**  
Allows the curved Gimbal handle to attach lower on the end of the dyna-elastic arm. This permits the Sled to be lower than normal when shooting in Low Mode, as well as letting the Gimbal tube to be attached upside down, both of which are needed for reasons of clearance. The Sled Offset Adapter can also be used to lower the Sled height when you are not shooting in the Low Mode configuration .....**89.95**

**Vista Post (GLVP)**  
At 33" tall, the Vista Post allows the central support post to be expanded to a maximum of approximately five feet in length. This expanded post length allows for very low or high camera placement .....**199.95**

**Vehicle Mount (GLVM)**  
The Vehicle Mount allows you to mount the Dyna-Elastic arm to various vehicles or platforms.....**329.95**



**L4-Pro 4" Active-Matrix LCD Monitor (Mfr # L4PRO; B&H # GLL4P)**  
The Glidecam L4-Pro is a 4" high-quality active matrix LCD monitor with two switchable BNC composite inputs, that is ideal for use as a remote viewing monitor on the base platform of either the Glidecam 4000 Pro, V-16 or V-20 professional camera stabilizers. Weighing only 16 ounces, and easily powered by an external 12v DC 500mA battery or power supply, the L4-Pro can also be used directly on top of your camera as an oversized viewfinder or be attached virtually anywhere .....**399.95**

**L7-Pro 7" Active-Matrix LCD Monitor (Mfr # L7PRO; B&H # GLL7P)**  
The Glidecam L7-Pro daylight-viewable 16:9/4:3 switchable TFT active matrix LCD monitor is ideal for use wherever a compact, lightweight, high-quality LCD monitor is required. The L7-Pro works perfectly when used as a remote viewing monitor on the base platform of either the Glidecam V-8, V-16, V-20, or Gold Series professional camera stabilizers. Weighing only 14 ounces, and easily powered by an external 12v DC 600mA battery or power supply, the L7-Pro can also be used directly on top of your camera as an oversized viewfinder or be attached virtually anywhere.....**679.95**

## V-25

### Body Mounted Stabilization System

The Glidecam V-25 is a professional, body-mounted, camera stabilization system designed for film and video cameras weighing from 10 to 25 lbs. It incorporates advanced engineering and precision machining, making it the most sophisticated and versatile system in its price range. The complete system is comprised of a Support Arm, Vest and Sled.

The dual articulating Support Arm is designed to carry a total combined camera and sled weight of 23 to 38 lbs. The Arm includes six titanium springs and incorporates a proprietary Arm-to-Vest connector. The V-25 Vest is a lightweight and comfortable support vest that can be adjusted to fit a wide range of operators. It also features a proprietary Arm Trimming Mechanism. The V-25 Sled is a full featured, precision support sled designed to carry film and video cameras weighing from 10 to 25 lbs. and incorporates 12-volt integrated wiring.

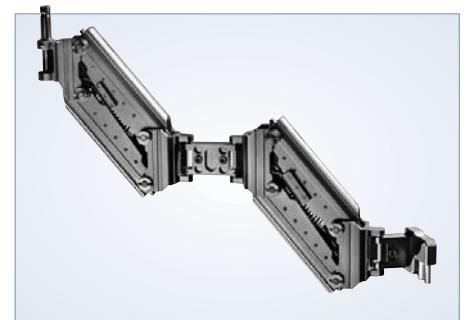


#### V-25 Support Vest

The V-25 Vest is lightweight and comfortable, and can be adjusted to fit a wide range of operators. High endurance, dual density, EVA foam padding and integral T6 aluminum alloy create a vest that can hold and evenly distribute the weight of the system across the operator's shoulders, back, and hips. For safety, quick release, high impact buckles allow the vest to be removed quickly. The Vest's outer shell is made of 1000 denier cordura fabric, and 7-panel seat belt strapping, noted as being the best in the industry. The V-25 Vest incorporates a unique and proprietary Arm-to-Vest Connector that allows the Arm to be attached and removed from the Vest without affecting the operator's trim settings.

#### V-25 Support Arm

The V-25 Dyna-Elastic Support Arm employs six titanium extension springs within its machined, hardcoat anodized, Exo-Skeletal shell. Utilizing internal pulleys and high-strand cables, the energy of the titanium springs provides the Arm with its lifting power. The spring tension is field adjustable and allows for varying camera weights. The Arm can carry a total combined camera and sled weight from 25 to 40 lbs. Numerous rigid, internal support structures strategically positioned within the Arm greatly reduce the effects of external torsional forces. This greatly enhances the arm's ability to resist twisting even while under a full load.



The V-25's Dual-Action Support Arm incorporates thirty-two precision radial bearings within its T6 aluminum structure. The placement and implementation of these double-shielded bearings produce minimal friction and allow both segments of the Support Arm to pivot and boom smoothly throughout their full range. Integrated rubber bumpers placed along the length of the arm reduce noise when the arm is placed in extreme positions. The Arm Post assembly has internal ball bearings that afford the Arm Post a high degree of low-friction rotation. This significantly enhances the arm's ability to reduce the transmission of undesirable movements caused by the operator to the sled.

<b>V-25 Stabilizer with Anton Bauer Battery Mount</b> (Mfr # V25AB • B&H # GLV25AB) .....	<b>9499.95</b>
<b>V-25 Stabilizer with V-Lock Battery Mount</b> (Mfr # V25VL • B&H # GLV25VL) .....	<b>9499.95</b>
<b>V-25 Stabilizer with PAG Battery Mount</b> (Mfr # V25PAG • B&H # GLV25PAG) .....	<b>9499.95</b>

## GOLD SYSTEM

### Top-of-the-Line Stabilization System

The Glidecam Gold Series is a professional body-mounted camera stabilization system designed for cameras weighing from 13 to 38 lbs. It incorporates advanced engineering and precision machining, making it the most sophisticated system in its price range.

The Gold Vest offers no-tools adjust, break-away safety system, quick pressure release dual buckle design with positive locking buckles and fast ratcheting adjuster buckles, integral black anodized T-6 aluminum and EVA foam padding, reversible and vertically adjustable arm mounting plate, and an industry standard arm connector (optional "V-Series" arm connector is also available). For added strength and durability the arm connectors are made of Titanium. The Gold Arm incorporates sophisticated engineering and precision machining to make it lightweight and strong. Six titanium springs allow the Gold Arm to handle a camera load of 13 to 38 lbs. Its combined camera and sled carrying capacity ranges from 31 to 56 lbs. For added strength and durability the vest connectors are made of Titanium. The arm to vest socket pin connector is also made of Titanium. With the purchase of a Gold Arm you receive a Lifetime Replacement Warranty on the original set of Titanium springs.

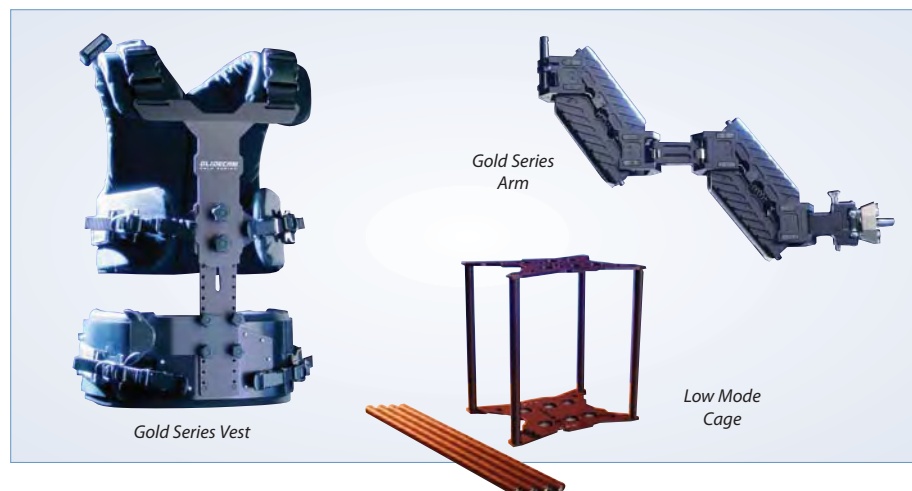
The Gold Sled holds any video or film camera weighing from 13 to 38 lbs. The Gold Sled incorporates sophisticated engineering and precision machining to make it lightweight and strong. It is designed with the same look and aesthetics as the Gold Arm and Vest. The Gold Series sled is available with one of Glidecam's various daylight viewable, LCD monitors. The black parts of the Gold Sled are anodized black with certain parts hard coated black.



### Gold Series Full System

Includes Gold Vest, Gold Arm, Gold Sled with battery mount, L7-Pro LCD monitor and power cables, Anton Bauer QR-7 LCD battery plater, Jerry Hill docking bracket with Gore lock, camera power cable with 3-pin Lemo style to 4-pin XLR, two BNC cables, Gold Video camera plate.

- Gold Series Full System NP-1 Mount** (B&H # GLGSSNP) ..... **19,899.99**
- Gold Series Full System with Anton Bauer Mount** (B&H # GLGSSAB) ..... **22,899.95**



- Titanium Arm Socket** (B&H # GLTSB) ..... **498.95**
- Low Mode Cage** (B&H # GLLMC) ..... **579.95**
- V-Adapter** (B&H # GLVA)  
To connect V-Series arm and Gold Vest.. **637.50**
- NP-1 Base** (B&H # GLNP1B)  
For Gold Series Sled. Holds up to 3 NP-1 style batteries ..... **1,994.95**
- Gold Series Vest** (B&H # GLGSV)  
For use with Gold Series Arm and V-Series Stabilizers with Adapter Block ..... **2,099.95**
- Gold Series Arm** (B&H # GLGSA)  
Supports 13 to 38 lbs ..... **7,449.95**
- Gold Series Sled** (B&H # GLGSSNP1B)  
With NP-1 base ..... **12,899.95**
- Gold Series Sled** (B&H # GLGSSPAGB)  
With PAG base ..... **13,894.95**
- Gold Series Sled** (B&H # GLGSSVLB)  
With V-Lock base ..... **13,894.95**
- Gold Series Sled** (B&H # GLGSSABB)  
With Anton Bauer base ..... **13,894.95**

## FIG RIG

Your camera has only one hot-shoe for accessories, limiting you to one light or one monitor. Designed by world-class film director Mike Figgis, the Fig Rig is more than just a steady support. It is a frame on which to build a system. With the Fig Rig, you can mount any number of accessories that are necessary for today's cameras. The Fig Rig Stabilizer is non-traditional in design, but purely simple and effective. A modular system that smoothly supports the DV camera and acts as a frame to mount all the accessories—including zoom controllers, mics, mixers, lights, monitors, arms...

A circular frame with a crossbar to mount most mini DV cameras, the Fig Rig becomes part of the body to produce smooth, steady traveling shots. As the operator walks, his/her muscles and tendons absorb all the shocks, transferring only fluid movements to the camera. As there are no straps or harnesses attached to the Fig Rig, quick and wide movements can be made within the same shot — from ground-level to overhead, in one smooth movement. The camera, accessories and operator become one, allowing you to film scenes quickly and unobtrusively. With the Fig Rig your creativity is virtually limitless.

- ◆ Padded hand grip for a comfortable and secure grip.
- ◆ Four cable clips keep your wires wrapped cleanly around the rig and out of your shot.
- ◆ A non-slip rubber pad provides stability when using the Fig Rig on a flat surface such as a table, floor or railing.
- ◆ Each side of the camera bar is threaded with one 1/4", 3/8" and 5/8" hole for additional accessory mounting.
- ◆ Supplied sliding QR plate allows you to position and balance your camera. The plate system can be switched out with a variety of Manfrotto plate assemblies to best match your camera.
- ◆ With the use of the optional 595CLA clamp you can convert the Fig Rig frame into a fully-loaded roving cine rig precisely positioning your mic or monitor anywhere around your camera. Using the clamp you can also mount the entire Fig Rig to a tripod or monopod.
- ◆ Quickly mount the Fig Rig to any 5/8" stud for either temporary storage or stable low-angle shots (using the optional 003 Backlite stand).
- ◆ Use the 039 Hook and 035C Super Clamp to hang the Fig Rig on a lightstand between shots.
- ◆ Add on a Manfrotto 521 series remote control and you have complete fingertip control of zoom and focus.



**FIG RIG**  
key  
features



### Rubber Base Padding

A non-slip rubber pad provides stability when using the Fig Rig on a flat surface such as a table, floor or railing.

### Cable Clip

Supplied with 4 cable clips to keep all your wires wrapped cleanly around the rig and out of your shot.



### Crossbar

The camera bar is threaded with one 1/4-20", 3/8" and 5/8" hole for additional accessory mounting.

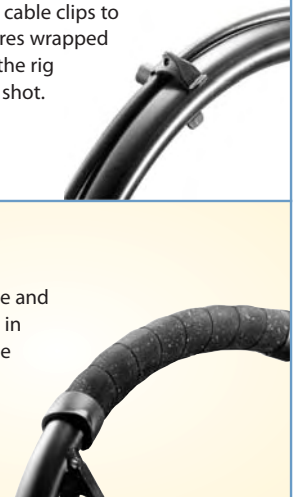
### Sliding Quick Release Plate

A sliding QR plate allows you to position and balance your camera. It can be switched with a variety of plate assemblies to match your camera.



### Hand Pads

For a comfortable and secure grip even in the most extreme environments.



## FIG RIG

### Compatible Video Remote Controls

With Manfrotto's 521 series remote controls you can control zoom and focus (for Sony and Canon). With the Fig Rig you have complete control of your camera without ever removing your hands from the Rig.

#### Basic Remote Control for Sony & Canon Camcorders (Mfr # 521; B&H # BO521)

Built onto a small clamp that suits a wide range of applications, the 521 uses Control L (LANC protocol) to control Power On/Standby, Record/Stop function, zoom in/out and focus in/out on Sony and Canon Mini DV cameras. Zoom wheel direction can be reversed. Supplied with 9.8" (extendable to 19.7") 522SCA connector coiled cord cable.....**181.95**

#### Basic Pro Remote Control for Sony & Canon Camcorders (Mfr # 521PRO; B&H # BO521PRO)

The 521PRO is the top-of-the-range for LANC enabled cameras. Key features include the ability to use the zoom wheel for either focus (in/out) or zoom (in/out) and an added push-button auto focus feature.....**309.95**



#### Basic Remote Control for Panasonic Camcorders (Mfr # 521P; B&H # BO521P)

Built onto a small clamp that suits a wide range of applications, the 521P is designed to work with Panasonic cameras AG-DVC-30, AG-DVC80, AGDVX100A, AG-DVX100B and AG-HVX200 and controls Record/Stop and zoom in/out functions of the camera. Supplied with 522SCA connector cable measuring 9.8" (extendable to 19.7") long .....**229.95**

#### Remote Control Splitter Box (Mfr # 521SB; B&H # BO521SB)

The 521SB allows you to plug in two 521 series remotes to control the camera with both hands. For example, plug two 521PRO remotes into the 521SB and use the zoom wheel of one 521PRO to control zoom and the other to control focus. The 521SB is threaded with a 3/8" and 1/4" socket and supplied with a thumbscrew to mount directly to the Fig Rig crossbar.....**72.95**

### Compatible Microphone Holders

#### Standard Type Microphone Clip (Mfr # MICC1; B&H # AVMICC1):

The MICC1 screws onto standard 5/8" microphone stands and can hold straight-bodied dynamic and many smaller condenser microphones. The angle of the clip is adjustable, allowing you orient the mic toward your sound source .....**5.95**

**Microphone Spring Clip (Mfr # MICC2; B&H # AVMICC2):** Universal type microphone clip. Grabs microphones from diameter 20mm to 35mm .....**8.95**

#### Universal Shock Mount Microphone Holder

(Mfr # MICC4; B&H # AVMICC4): Rubber dampening system to absorb vibrations. Swiveling yoke has 3/8" threaded hole .....**77.50**



### Compatible Clamp

#### Fig Rig Clamp (Mfr # 595CLA; B&H # BO595CLA)

Lets you position a light or monitor anywhere around your camera, allowing you up to take it off the hot-shoe. Mount your shotgun mic anywhere around the camera. Supplied with 1/4" and 3/8" screws, and female 1/4"-3/8" adapter.....**59.95**



### Compatible Quick Release Adapters



**Pro Video Quick Release Adapter (Mfr # 3273; B&H # BO3273):** Extra long plate system for larger cameras. Supplied with two 1/4" and two 3/8" camera screws. 3.15" sliding travel of plate ....**42.95**

**Rectangular Video Quick Release Plate (Mfr # 3299; B&H # BO3299):** Quick 'touch-and-go' plate system for smaller cameras. Supplied with 1/4" camera screw.....**27.95**

### Fig Rig Bag

#### Fitted Soft Case (Mfr # 595BAG; B&H # BO595BAG)

A fitted soft case with a sturdy double zipper that closes the wide opening quickly. The case is roomy enough to leave accessory mounting clamps in position .....**55.95**



## ORBITOR



### Advanced Camcorder Support System

The most mobile, yet stable, shooting platform of its kind, PAG's Orbitor is an advanced camcorder support system that provides balance and mobility when shooting with any hand-held camcorder up to 9.9 lbs. The system can be configured to provide a professional two-handed assembly with 3-axis camera control, for a range of professional shooting techniques, or a single-handed assembly with a pan and tilt facility, for smaller camcorders. Even a lightweight hand-held mini-DV camcorder can cause muscle fatigue after hours of shooting. The Orbitor distributes the weight of the camcorder comfortably across the body, and provides a stable shooting platform that enables hours of use without fatigue. Freedom of movement is achieved by a 3-axis mechanism controlled by variable tension clutches, which enable you to pan, tilt and roll, smoothly. The camera feels weightless and control of its movement is effortless, requiring the lightest touch. The system's flexibility makes a large range of shots possible. The Orbitor enables you to shoot with the camera at right angles to your body, which is ideal for tracking shots on a staircase or shooting in a car.

### FEATURES

- ◆ The camcorder is mounted to a quick-release sliding camera plate, which allows fine adjustment of its position to achieve the correct point of balance on the assembly.
- ◆ The telescopic suspension rod supports the weight of the camera in every position. It slots into a belt-mounted support pad and assists greatly with extreme tilting shots. The suspension rod absorbs camera shake on tracking shots, and enables 'hands-free' resting between shots.
- ◆ The camcorder is counterbalanced by a weight mounted to the back-plate of the system's shoulder pad assembly. In place of the weight, a battery pack can be used, which will also power a camera light.
- ◆ The Orbitor is designed to disassemble quickly and easily into manageable parts, suitable for transportation.
- ◆ The position of the shoulder pad assembly can be adjusted to fit any operator, and features a cushioned shoulder pad to provide the maximum comfort during use. Adjustable straps secure the shoulder pad assembly to the waist belt, this prevents the assembly moving away from the ideal shoulder position during use.
- ◆ Remote controls, wireless receivers and viewing monitors can be easily clamped to the rigid but lightweight structure.
- ◆ The back-plate can be fitted with a PAGlok connector (9522/78), enabling you to power a 12v Paglight M and the camcorder, via a DC Adapter, using professional PAG 12v to 14.8v batteries. Alternatively, the 6v battery supplied as part of the Paglight C6 Kit can be used to power both the light and the camcorder, via a 6v to 7.2v DC Adapter.

### 2001 X1 Camcorder Support System

The PAG 2001 X1 is an economical system ideal for use with smaller camcorders. This simplified, single-handed version, distributes the weight of the camcorder comfortably between the arm and the shoulder, and provides a stable shooting platform. It is possible to zoom and frame with one hand while supporting the camcorder with the other. Tilting and panning shots can be executed smoothly and without camera shake. Supports camcorders up to 9.9 lbs.



- Orbiter Camera Stabilizer System** (Mfr # 2002 • B&H # PAOCSS): Weighs 8.6 lbs. including counterbalance. The belt fits waists up to 46" .....**732.95**
- 2001 X1 Camera Support System** (Mfr # 2001 • B&H # PAX1SHCSS): Weighs 6.7 lbs. including counterbalance. Supports camcorders up to 9.9 lbs .....**599.95**
- PAGlok Connector** (Mfr # PAG 9522/78 • B&H # PAMPLPO): Can be fitted to the back plate of the 2001 X1 or Orbitor. Use with 12v PP90 DC Adapter 9680/- to power the camcorder and the Paglight M with PAGlok batteries.....**CALL**

## QUAD PODS

### Video Camera Stabilizers and Support Systems

Perfect for hand held video cameras, Quad Pods allow more freedom of movement in a natural fatigue free way. Now you can film in a variety of shooting situations without getting the jitters from fatigue. With a dual grip design, Quad Pods allows more angles and range of motion. You can shoot from floor level all the way up to and over your head. Instead of rigid shoulder braces that limit mobility, Quad Pods need only need a neck strap or shock strap for support or for resting the camera between shots. The Quad Pods back grips really come in handy when you need to get your camera up and over people or obstructions ENG style. These type of shots are hard to get when you go hand held alone. With a Quad you can be up and steady longer. Solid, strong and durable yet lightweight at just 15 oz., Quad Pods are also mountable. Simply attach your tripods quick release plate. Now the Quad Pod can be quickly connected to a tripod or monopod. The hand grips are now used for positioning the camera. But when quick mobility is needed, the Quad Pod Pro is off in a snap.



Quad Pod

#### FEATURES

#### Quad Pod

The Quad Pod features a dual (quad) grip design, quick release system and is self supporting. For the ultimate in versatility you can add just about any tripod quick release plate to the universal 1/4" thread on the bottom of the unit. Includes shock strap and Bogen 3299 RC2 System Quick Release Adapter with 3157N Plate that allows quick mounting and dismounting of the camera. (Mfr # QP • B&H # QUQP) .....**224.95**

#### Quad Pod Pro

The Quad Pod Pro adds the Swivel Pod waist support system for fatigue free shooting in just about any situation. Now you can have 4-point stabilization via the quad grips, neck strap and support pod for the ultimate in versatility. (Mfr # QPPRO • B&H # QUQPPRO) .....**279.95**

Quad Pod Pro is also available with the Bogen 577 adapter with the 3433PL Quick Release plate. (Mfr # QPP577 • B&H # QUQPP577) .....**329.95**



Quad Pod Pro

Quad Pod All-in-One

#### Quad Pod Pro HD

The Quad Pod HD features a larger and stronger cross bar support for larger cameras like the Canon XL-series and Sony HD's etc. and comes equipped with the Bogen 3273 Quick Release Adapter and 3272 Plate. You can mount it on a tripod, quick release to go mobile, switch to swivel pod mode, all in 10 seconds, all on the fly. To use with your tripod, simply add any tripod quick release plate to the universal 1/4" thread on the bottom of the unit. (Mfr # QPHD • B&H # QUQPHD).....**349.95**

#### Quad Pod All-in-One

Combo System adds an extra center mount so the unit can double as a regular Quad Pod. When you want to go into photo-video mode, move the video camera to the left mount and add your still camera to the right mount. Now adjust framing and you are ready to film video and take photographic stills at the same time all on the fly or from a tripod. Also includes a tripod quick release plate for mounting the "all in one" on a tripod. Eliminates photographers from getting into the most important video moments! New creative possibilities with pan-a-view photo-video editing. Add a second video camera and Shoot A-B roll (1 wide - 1 tight) simultaneously.



(Mfr # QPAIO • B&H # QUQPAIO).....**364.95**

## ARTEMIS DV PRO

### Camera Stabilization Systems

Available in two configurations (FX and MD), the Artemis DV Pro is a lightweight and cost-effective camera stabilization system complete with a sled, vest and arm. Providing many advantages of the top-of-the-line broadcast Artemis systems, the Artemis DV Pro FX and DV Pro MD are scaled down to fit today's latest handheld DV and HDV camcorders.

The Artemis DV Pro FX and DV Pro MD offer a range of professional advantages, including complete control of all adjustments and the flexibility needed for smooth camera movements. Engineered to optimize the mass and add the appropriate amount of inertia to precisely stabilize lightweight professional camcorders, the system facilitates fast and true dynamic balance, providing the operator with continuous control of every move. The result is smooth camera moves while walking, running or riding a moving vehicle or platform.

Otherwise identical the Artemis Pro MD is specially wired allowing high end upgrades. Optional upgrades include 12v/24v camera power supply, HD-SDI video signal processing, and HD RGB video signal processing.



#### FEATURES

- ◆ The streamlined DV Pro black sled features a central post topped with a quick-release camera mounting system. At the bottom of the post is the battery compartment, which accepts standard 14.4v batteries from Anton Bauer or other manufacturers for ultimate compatibility.
- ◆ An integrated 7" LCD monitor slides and tilts to optimize viewing and aid dynamic balance. It offers 16:9 and 4:3 aspect ratios and automatically switches between NTSC and PAL depending on signal input.
- ◆ The DV Pro's advanced arm features easily interchangeable gas-spring cartridges, in a choice of three payloads: 11 - 17.6 lbs., 17.6 - 24.2 lbs., and 22 - 28.6 lbs. Easy to reach adjustments for tension and arm angle are accomplished via a single 4mm/5-32" Allen wrench (included).
- ◆ The lightweight back-mount-style vest offers ample cushioning and a rugged Cordura skin. It has been designed for maximum adjustability in both height and width to fit a multitude of human frames. Operators will also appreciate that the arm support is fully reversible for operation on either left or right side of the body.



### Artemis EFP

Specifically designed to meet the demands of broadcast production. At the same time, it offers the functionality of the larger Artemis models. One such feature is the Touch & Go system that ensures extremely fast and easy camera changeover between stabilizing system and tripod – even while shooting. A color flat panel monitor comes standard. Due to its modular construction, you can upgrade your system – right up to Cine HD – if and when the need arises. The EFP is fully compatible with Artemis accessories and other systems currently on the market.

- ◆ Dual dynamic balance with a 3rd battery that can be independently adjusted.
- ◆ Focus remote receivers can be mounted on both sides improving the camera's center of gravity balance.
- ◆ Internal Tally electronics – crucial for television operation.
- ◆ A range of spring sets allow the arm to be precisely adjusted, according to the weight of the camera being used.
- ◆ Anton/Bauer, PAG and V-Mount battery mounts are available.
- ◆ Battery indicators – 3 rows of LED displays – show remaining power in each battery.
- ◆ Important adjustments and clamps are tool-free or simply require an Allen wrench.
- ◆ Highly durable vest can be adjusted, evenly distributing the bulk of the weight onto the user's hips. This guarantees an exceptionally comfortable fit for extended periods of time.

**Artemis EFP (B&H SAAEFP).....10,999.99**

## ARTEMIS DV PRO

### Artemis DV Pro FX

Artemis DV Pro FX System  
with rig, post, head and standard definition  
monitor and battery adapter:

With Anton Bauer 3-Stud Battery Adapter  
(Mfr # 4909 • B&H # SAADVFXAB).....**3644.95**

With V-Lock Battery Adapter  
(Mfr # 4908 • B&H # SAADVFXV) .....**3644.95**

With PAG Battery Adapter  
(Mfr # 4907 • B&H # SAADVFXP) .....**3644.95**

Spring Arm Chassis for Artemis DV Pro FX  
(Mfr # 4991 • B&H # SASACDVFX) .....**3969.95**

### Artemis DV Pro MD Systems

Artemis DV Pro MD System  
with rig, post, head and standard definition  
monitor and battery adapter:

With Anton Bauer 3-Stud Battery Adapter  
(Mfr # 4903 • B&H # SAADVMDAB).....**5144.95**

With V-Lock Battery Adapter  
(Mfr # 4902 • B&H # SAADVMDV) .....**5144.95**

With PAG Battery Adapter  
(Mfr # 4901 • B&H # SAADVMDP).....**5144.95**

Spring Arm Chassis for Artemis DV Pro MD  
(Mfr # 4940 • B&H # SASACDVMD) .....**4559.95**

### Artemis DV Pro FX Systems

With rig, post, head, vest, spring arm  
with canister, standard definition monitor,  
vest, C-stand and docking bracket,  
and battery adapter:

With Anton Bauer 3-Stud Battery Adapter  
(Mfr # 4929 • B&H # SAADVFXABK) .....**6499.95**

With V-Lock Battery Adapter  
(Mfr # 4928 • B&H # SAADVFXVK) .....**6499.95**

With PAG Battery Adapter  
(Mfr # 4927 • B&H # SAADVFXPK) .....**6499.95**

### Artemis DV Pro MD Systems

With rig, post, head, vest, spring arm with  
canister, SD/HD monitor, vest, C-stand and  
docking bracket, and battery adapter:

With Anton Bauer 3-Stud Battery Adapter  
(Mfr # 4913 • B&H # SAADVMDABK) .....**8989.95**

With V-Lock Battery Adapter  
(Mfr # 4912 • B&H # SAADVMDVK) .....**8989.95**

With PAG Battery Adapter  
(Mfr # 4911 • B&H # SAADVMDPK) .....**8989.95**

	EFP	D-V Pro MD	DV Pro FX
<b>Side-to-side module</b>			
Camera mount	Touch and Go	Sideload plate S	Sideload plate S
Tool-free clamping mechanism	✓	✓	✓
Fore and aft/side to side (adjustment range)	28/35 mm 1.1" / 1.4"	20/20 mm 0.8" / 0.8"	20/20 mm 0.8" / 0.8"
Threads for focus bracket	✓	✓	✓
Illuminated bubble	✓	✓	✓
Removable from post	✓	✓	✓
Video in	1 x BNC	1 x BNC	1 x BNC
Video signals	SD	SD (HD SDI, RGB: o)	SD
12v camera power out (3-pin Lemo)	1 x 12v	1 x 12v	1 x 12v
24v camera power out (3-pin Lemo)	–	Optional	Optional
Video power out (4-pin Lemo)	–	12v, Video	Only in SD
Focus power out (4-pin Lemo)	1 x 12v	1 x 12v	1 x 12v
Internal Tally system	ext. Tally system	–	–
Tally out	ext. Tally system	–	–
Aux power out 12v	1 x 12v	1 x 12v	1 x 12v
<b>Gimbal and Post</b>			
Gimbal Clamp mechanism	4 mm Allen key	Tool-free	Tool-free
Diameter	38.1 mm/1.5"	22 mm/0.9"	22 mm/0.9"
Removable	–	–	Only from side-to-side
Telescopic range	31 cm/12.2"	16.5 cm/6.5"	16.5 cm/6.5"
Main cable connector	1-pin Lemo	6-pin Lemo	6-pin Lemo
<b>Lower sled</b>			
Removable from post	✓	✓	–
Revolving back batteries	–	–	–
Bracket for 'C' battery	✓	–	–
Recorder bracket mount	–	–	–
XCS bubble mount	Add. Bracket	–	–
Monitor out	8-pin Lemo	BNC, 4-pin Lemo	Fixed Wired
Video out	SD	SD (HD SDI, RGB: o)	SD
Video power out (4pin Lemo)	–	12v, Video	–
Tally out	ext. Tally system	–	–
Aux power out 12v	1 x 12v	1 x 12v	–
12/24v switch	–	Optional	–
Record/Play switch	–	–	–
'C' battery in	✓	–	–
Switch (on/off)	1	Main Switch	–
Battery mounts (AB/PAG/V-mount)	2 (+ 1)	1 (+ 1)	1 (+ 1)
<b>Spring arm</b>			
Type	Spring	Gas Canisters	Gas Canisters
Exchangeable spring sets	✓	✓	✓
Spring sets (max. payload)	41.8/50.7/57.3 lbs.	17.6/23.1/29.8 lbs.	17.6/23.1/29.8 lbs.
Vest connector (industrial standard)	✓	✓	✓

## MERLIN

### Camera Stabilizing System

*Ultra-light and ultra-compact, the Steadicam Merlin offers light, agile, seamless shooting for today's wedding and event videographer, corporate AV department, enthusiast or film student, allowing them to keep up with the action easier than ever. Designed by Garrett Brown, the inventor of the original Steadicam Jr, the Merlin is half the weight and four times as stable as the Jr—yet it moves as smoothly as the big \$60,000 rigs used in Hollywood. Compatible with cameras weighing up to 5 lbs., the Merlin lets you “fly” wherever the scene takes you — up/down steps, indoors and outside, through crowds—almost anywhere, with precise, elegant control and ease. Its quick release mount lets you instantly swap camera connections between the Merlin and any tripod. Ultra-light, ultra-rigid, ultra precise, folding spectacularly — Merlin is ideal for documentaries, weddings, news segments, commercials, even low-budget features. In practiced hands, it performs as impressively as the studio Steadicam, yet remains unobtrusive. Merlin is also an inherently graceful way to hold a camera—not only for big moves and running around, but also for those subtle, imperceptible and elegant displacements of the lens that cannot be achieved any other way.*



### FEATURES

- ◆ Merlin's design significantly reduces fatigue. Incredibly lightweight— it weighs less than a can of soda, and with a Sony HVR-V1U for example— balanced and ready to go— Merlin weighs only 5 lbs.
- ◆ Ultra-light, ultra-rigid aluminum construction and patented 3-axis gimbal handle assembly permits precise control — with focal lengths longer than ever imaginable, using a hand-held stabilizer.
- ◆ Merlin's unique dual extended weight system greatly increases inertial stability.
- ◆ Counterbalancing weight can be precisely adjusted to balance cameras from 0.5- 5 lbs.
- ◆ Patented “Folding-Caliper” hinge for precise geometry whether open, closed or shoulder mounted. The folding-Caliper hinge extends and retracts to balance a wide range of cameras as light as a 1/2 lb. yet it instantly returns to the compact folded position.
- ◆ Large trim stage with level for secure camera mounting and precise horizontal balance.
- ◆ Folded size, without weights: 3.5 x 2 x 11”.
- ◆ Open size: 3.5 x 3.5 x 7” (min. arc) to 13.5” (max. arc).
- ◆ Weighs only 12 oz—1/3 of its competition.
- ◆ Includes 5 threaded precision stainless steel balance weights.

### Optional Arm & Vest

The Steadicam Merlin Arm and Vest make extended shooting seem effortless. This system works with cameras up to 7 lbs. Fly for hours without undue fatigue, preserving the flexibility and reach of the operator's arms.

The 2.6 lbs Merlin Vest is light and thin; it can even be worn under a tuxedo jacket. Its designed to fit many sizes and shapes. The Vest provides comfort and functionality for extended productions and long continuous shots. No tools required for any adjustments including the right-arm/left-arm changeover.

The Merlin Arm is ultra-light and extremely capable. It provides performance and flexibility including instant, knob-adjustable control of lifting power for payloads between 2.5 and 7 lbs. The Merlin Arm also provides enormous vertical lifting range (28”) and full ‘iso-elasticity’ so you'll need only ounces of force to maintain the highest or lowest lens heights (way above the head to below the waist).

### Merlin and Accessories

**Merlin** (Mfr # MERLIN • B&H # STM): Includes precision balance weights, removable dovetail plate, tripod plate, training DVD, and Steadicam custom fitted travel case (801-7902) which can hold the Merlin with camera mounted.....**799.95**

**Arm and Vest for Merlin** (Mfr # AVGPK • B&H # STMAV) .....**1899.95**

**Merlin with Arm and Vest and Steadicam Case** (B&H # STMAVK) .....**2599.95**

**Tiffen SteadiStand** (Mfr # 601-7910 • B&H # STSS): Allows users to temporarily stow the Merlin with camera attached without disassembly. When ready to shoot, the complete assembly can be lifted into place from the display, ready for production. Users avoid having to rebalance.....**164.95**



## PILOT

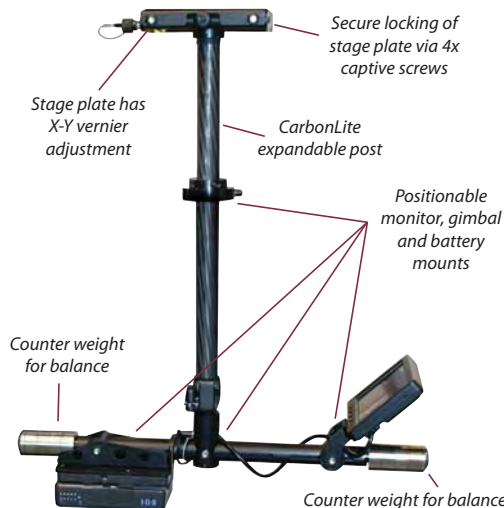
### Lightweight Stabilizer System

The Steadicam Pilot is a lightweight, state-of-the-art stabilizer system designed for today's lightweight digital camcorders weighing from 2-to 10 lbs. Video professionals need add only battery and camera as all other required system components are included for normal operation. The Pilot is designed with a lightweight Iso-elastic Arm and ultra low profile vest, lightweight sled with CarbonLite expandable post, low mass gimbal and offers advanced features/benefits with low cost for video professionals. The Pilot also includes a 5.8" 16:9 color LCD monitor, backpack transport and is available with three 12-volt battery pack options (AA battery pack, V-Lock or Anton Bauer).

#### FEATURES

- ◆ The Iso-Elastic arm is a two-section, articulated design that can be adjusted while supporting the camera. With this patented, unique design, the Steadicam operator can smoothly and effortlessly raise or lower the arm throughout its 28" boom range. The iso-elastic arm is also non-reactive – improving vertical stability and control in all operating conditions, from lock-offs to fast running shots over rough terrain.
- ◆ The included 5.8" LCD monitor provides good contrast from dark to light situations. The monitor weight and location on the sled assures the operator perfect balance and ease of operation.
- ◆ Utilizing a proven Low Mass Gimbal the operator has the ability to capture the fluid movement that only Steadicam can provide. No-tools precision camera stage establishes a solid base for the camera and facilitates smooth adjustment ease from side to side plus fore and aft.
- ◆ The Pilot's ultra lightweight, low profile vest is designed to provide complete comfort and functionality for extended productions and long continuous shots. No-tools adjustments make it easy to adjust on the "fly".
- ◆ The Carbonlite expandable post and interface to the stage form a solid bond to assure no jitter in the picture as the operator captures those unique scenes.
- ◆ The stage plate is indexed so that the camera can be re-moved and re-mounted without the need to re-adjust the balance. The stage can be easily accessorized with focus motor mount, additional connectors or dovetail type camera plate.

- ◆ The sled boasts a true three axis gimbal and is equipped with counter weights for balance and positionable monitor, gimbal and battery mounts. Counterweights are provided for balance. The Pilot sled compacts down by removing the lower cross tube.



### Pilot Camera Stabilization System Packages

Each includes camera mounting chassis (sled), carbonlite expandable post, 5.8" color LCD monitor, Iso-elastic camera arm, low profile lightweight vest, micro adjustable Z-Y stage, secure locking stage plate, counter weights, backpack transport, docking bracket, 28" arm boom, cables, Allen wrench and battery mount.

- Pilot with V-Lock Battery Mount** (Mfr # PILOTVL; B&H # STPVL) .....**3,799.95**
- Pilot with Anton Bauer Battery Mount** (Mfr # PILOTAB; B&H # STPAB) .....**3,799.95**
- Pilot with AA Battery Mount** (Mfr # PILOT-AA; B&H # STPAA) .....**3,799.95**
- Pilot with two IDX E7s batteries and VL-2 dual sequential charger** (Mfr # PILOT-VLB • B&H # STPIDX) .....**4299.95**

## FLYER LE

### Lightweight Stabilizer System for Cameras up to 19 lbs.

Steadicam's latest stabilizer system, the FLYER-LE features a newly designed sled assembly (camera mounting platform) that has a robust carbon fiber no-tools extendable post. A safety system inside the post prevents the post from separating. The index system keeps all parts in alignment. A newly patented friction free gimbal assembly with large knurled extended handle fits securely in the operator's hand. Locking mechanisms for the top and bottom of the sled are tool free allowing quick on-set changes. Precision stage adjustment assures exacting balance of the camera to the rig. The sled will work with both 12v and 24v cameras.

The newly designed lightweight Flyer LE supports camera rigs up to 19 lbs. It will perform like a true heavyweight. It lets you shoot on the move effortlessly, without cranes, booms or dollies. You can climb stairs; shoot on the run, or even from a moving vehicle. The sled-mounted monitor offers a crystal-clear picture, relieving your eyes from being glued to your camera's eyepiece. And with the vest spreading the Flyer's weight comfortably over your torso, you can climb stairs, shoot on the run, or even from a moving vehicle. With one smooth tracking shot, you can capture what used to require five or six setups. The Flyer LE assures the camera operator a new comfort level in your filming for extended periods.



#### FEATURES

- ◆ The new tools-free patented ISO-elastic stabilizer Arm supports cameras up to 19 lbs., while the no-tools Arm / Vest interface allows for quick customization to the individual operator. On the fly weight adjustment frees the operator from dismounting the system to make changes. The open design of the arm has a freedom of movement unknown in this weight class. The new adjustable arm post assembly is a feature usually found on more expensive system. The arm will come apart with a pin removal for quick and neat storage.
- ◆ The comfortable vest assembly features an ergonomic fit of the breast plate combined with solid metal shoulder fasteners to offer new levels of comfort level for extended use. Pads are easily removal for cleaning or replacement. All components fit neatly and securely in the provided custom travel bag. It also has a pocket that will accept an optional trolley for ease of transport. A featured system combines the FLYER-LE with IDX Dual Charger and two Tiffen PowerCUBE batteries. These robust batteries will satisfy any film or video power demand.
- ◆ Newly designed sled assembly (camera mounting platform) that has a robust carbon fiber no-tools extendable post. A safety system inside the post prevents the post from separating. The index system keeps all parts in alignment.
- ◆ A newly patented friction free gimbal assembly with large knurled extended handle fits securely in the operator's hand.
- ◆ Locking mechanisms for the top and bottom of the sled are tool free allowing quick on-set changes.
- ◆ Precision stage adjustment assures exacting balance of the camera to the rig. The sled will work with both 12v and 24v cameras.
- ◆ Flyer LE comes with an active matrix 16:9/4:3 color LCD monitor that provides good contrast from dark to light situations. Monitor weight and location on the sled ensures perfect balance and ease of operation.
- ◆ All components fit neatly and securely in the included custom travel bag. It also has a pocket that will accept an optional trolley for ease of transport.
- ◆ Compatible with Sony V-Mount and Anton Bauer brick batteries
- ◆ Featured system combines the FLYER-LE with IDX Dual Charger and two Tiffen PowerCUBE batteries. These robust batteries will satisfy any film or video power demand.

**Flyer LE:** Includes vest, arm, sled with monitor, travel case and SteadiStand with Anton Bauer Battery mount (Mfr # F24LEABNN • B&H # STFLEAB) ..... **7499.00**

**Flyer LE:** Includes vest, arm, sled with monitor, travel case and SteadiStand with V-Lock Battery mount (Mfr # F24LEVLNN • B&H # STFLEVL) ..... **7499.00**

**Flyer LE System:** Includes vest, arm, sled with monitor, travel case and SteadiStand with IDX dual charger and two Tiffen PowerCUBE batteries (Mfr # P24LEVLPN • B&H # STFLEVLPC) ..... **8999.00**

**Mini Low-Mode Kit with Quick Release** (Mfr # 078-7393-01 • B&H # STLMMK) ..... **379.95**

## AUTO RIG

### Vehicle Camera Mounting Rig

The Auto Rig is the most complete and professional vehicle mount kit for compact DV and HDV camcorders up to 25 lbs. The Auto Rig enables cinematic moving-vehicle perspectives from various angles. When not used as vehicle mount, it can also double as a high quality low-level tripod. Only VariZoom's unique swivel lock mounting system allows straps to be secured with full and even force, at nearly any angle, without twisting or distressing the straps. High quality case with multiple compartments for easy inventory of components. Custom rubber cups to absorb shock & vibration and protect vehicle surface.

The supplied harness of straps with hooks attach to the edge of a door or hood. The system can be used with most flat base tripod heads (3/8-16 thread) or the included heavy-duty swivel head. The included adjustable swing arm makes low level and other extreme positions and angles possible. The set up is fast and easy and provides a safe, stable and rigid support for your camera. The special anti-skid, rubber suction cup feet protect the car's paint. No tools are needed for setup.

**Auto Rig** (Mfr # VZ-DV AUTO RIG • B&H # VAVZAR)

Includes Ball Head Mount, two quick-release plates, tripod legs, extension arm, three extra small and three extra large suction cups, five buckles, five adjustment straps and a carrying case. **489.95**



## DV TRAVELER Shock-Absorbing Shoulder Support for DV/HDV Camcorders

Compact with shock absorbing support, the DV Traveler is the ideal solution for lightweight yet extremely solid camera support. The telescoping shoulder arch can extend, retract, and rotate to the videographers perfect position. It can fold flat or completely remove the shoulder arch without tools for storage or travel. Includes a rotating accessory mount and non-slip shoulder cushion. Combining the best in versatility, comfort and compact design the DV Traveler is made with precision and machined to the highest standards from solid materials to make support rock solid without any flexing. Long handgrip arms provide plenty of room for mounting a lens control. The abdominal support is a spring-loaded suspension pod that distributes the camera weight while providing shock absorption.

- ◆ Adjust the horizontal position of your camera to comfortably view the LCD screen. Telescoping horizontal bar allows perfect adjustment of eyepiece and/or flip out monitor
- ◆ The suspension pod also allows smooth control over the height of your shot. Easily shoot at the eye level of your subject without uncomfortable bending at the waist. Even shoot over a crowd by simply raising your camera. No matter your height, you will always get the right level shot.
- ◆ Rotating accessory mount for lights, monitors, mics and more

- ◆ Support is constructed from two adjustable spring loaded telescopic sections to negate camera shakes and bounces.
- ◆ Quick release camera mount
- ◆ Super plush cushion shoulder pad

**DV Traveler** (Mfr # VZ-DVTRAVELER • B&H # VAVZDVTRAVEL)

DV/HDV camcorder support, includes suspension rod, shoulder support, quick release, belt and holster ..... **439.95**

## VZ-LSP Professional Shoulder Support System



*Designed and crafted to exacting standards, the VZ-LSP is the benchmark for all rigid camera supports. Lightweight, highly adjustable and rock-solid, it eliminates the fatigue and discomfort of handheld shooting with its ergonomic structure and abdominal support. Assembled with over 20 individual precision-machined parts, the VZ-LSP is truly a work of art that is appreciated by professionals all over the world. It provides no less than ten adjustable fittings for an endless variety of shooting configurations—while eliminating arm fatigue caused while holding the camera and support system. Shoot*

*fatigue-free all day with camcorders up to 8 lbs. like the Canon XL-1s on your shoulder.*

*Separating this brace from its competitors is the fully ab support (included), giving you three points of contact with the brace (hand, shoulder and body) for maximum camera support and control. The camera mounting platform can be positioned exactly as desired, raising the viewfinder right to your eye. Precision crafted from machined aluminum, the VZ-LSP is tough, lightweight and built to last a lifetime. And it can be customized by adding a Varizoom VZ-PG-L, VZ-Pro-L or StealthZoom lens controller giving you the perfect combination for getting the best looking video with comfortable hand-held shooting.*



### FEATURES

- ◆ The VZ-LSP insures a stable shooting platform by providing three points of body contact: shoulder, hand and abdomen.
- ◆ Can be configured with or without the ergonomical abdomen pad depending on shooter preference.
- ◆ Precision-machined from sturdy, lightweight aluminum, offers extended periods of hand-held shooting with maximum comfort.
- ◆ Ab Support clutch is machined from metal with serrations for secure clamping
- ◆ Adjustable pivoting shoulder pad can fit all body types; allows position to change depending on users and varying situations; allows for maximum comfort.
- ◆ Attach your camcorder to the shoulder brace camera platform using the camera's tripod mounting receiver with the included knurled screw. Then position the camera platform (forward, back, up or down) so that the viewfinder or LCD monitor meets the eye comfortably.
- ◆ Folds up for portability
- ◆ Designed specifically for popular "prosumer" camcorders which are smaller than traditional shoulder-mount cameras, including the Sony DCR-VX-2000, DCR-VX2100, DSR-250, DCR-TRV900/TRV950 and Canon GL-1/GL-2 and XL-1/XL-1s.

### VZ-1 SHOOTER

Made with a special aluminum alloy that allows you to bend the support into the desired position, the VZ-1 Shooter provides adjustable fittings for an endless variety of shooting configurations. Tough, lightweight and made to last a lifetime, the economical VZ-1 Shooter is like having an elastic glove that will adjust to fit nearly anyone, big or small! Customize it with a VariZoom Lens Controller, VZ-PG-L, VZ-Pro-L, or StealthZoom giving you the perfect combination for getting the best looking video with comfortable hand-held shooting.



- ◆ Both height and forward/backward position of camcorder platform can be adjusted.
- ◆ Adjust the angle of the handle for a comfortable grip.
- ◆ Bendable shoulder bracket can be shaped to fit the preference of the operator.
- ◆ 'Bottom 'C' bracket provides additional support for your camcorder while resting on a flat surface.
- ◆ Included Varizoom VZ-PGB right-angle bracket grip attaches to the mounting clamp on the VZ-Pro-L controller, and converts it into a convenient pistol-grip handle for DV/HDV camcorders. Hand-held shooting becomes much easier and more comfortable, while providing precise zoom and focus control.

**VZ-1 Shooter** (Mfr # VZ1SHOOTER; B&H # VAVZ1SHOOTER) ..... **114.95**

### VZ-LSP Professional Shoulder Support

(Mfr # VZLSP; B&H # VAVZLSP) ..... **389.95**

## STEALTHPOD



### High-Quality Monopod for Compact DV/HDV Camcorders

*When time, weight, cost, and mobility are critical, the StealthPod is an ideal support solution. This telescoping monopod with detachable quick-release mechanism is one of the most versatile tools available for small cameras. VariZoom's StealthPod allows for unbelievably smooth jitter free shots. Videographers can now sit on a bench and wait for a shot with the telescoping pod adjusted at eye level and the bottom resting on the ground. Be relaxed and ready for the next shot, whatever it might be. When "the shot" comes, quickly adjust the telescopic leg to length and hurry in with no shaking or mic noise. The leg can be extended from 23" to over 5'1/2' quick enough to get that rock solid shot at a moments notice. To connect, just screw the supplied quick release plate to the bottom of your camcorder, slide the plate on top of the StealthPod's docking station and it locks in place, that's it!*

- ◆ Super sleek pod designed specifically for the popular "prosumer" one-piece Digital8 and DV camcorders, including the Sony DCR-VX2000/VX-2100, DCR-TRV900/TRV950, DSR-PD-150/170, PC-109/330; and Canon's GL-1/2, Optura and Elura series. It is designed to aid in getting that steady, shake-free shot that everyone wants!

**StealthPod** (Mfr # STEALTHPOD; B&H # VAVZSP): Includes quick release plate .....**94.95**

## DV MEDIA RIG

### Professional Camera Support

*DV Media Rig is the most sophisticated shoulder support available for professional DV/HDV cameras. Unique features like the swiveling shoulder arch with vertical adjustment and articulating weight balance system allow for perfect balance and comfort. Also included is a rotating accessory mount and extra plush shoulder cushion. Combining full tilt range, a highly adjustable shoulder platform and a comfortable support system the DV Media Rig will add a high level of professionalism for a budget price.*

- ◆ The abdominal support is a spring-loaded suspension pod that distributes the camera weight while providing shock absorption. Constructed from 2 adjustable spring loaded telescopic sections, the support negates camera shakes and bounces. Adjust the horizontal position of your camera to comfortably view the LCD screen.
- ◆ The suspension pod allows smooth control over the height of your shot. Easily shoot at the eye level of your subject without uncomfortable bending at the waist. Even shoot over a crowd of people by simply raising your camera. No matter your height you will always get the right level shot.
- ◆ Swiveling shoulder arch allowing for perfect adjustment for eyepiece and or flip out monitor. Rotating accessory mount for lights, monitors, microphones and more. Quick release camera mount. Super plush cushion shoulder pad.

**DV Media Rig** (Mfr # VZMEDIARIG • B&H # VAVZDVMR)

Includes support pod, shoulder support, quick release, belt with holster, 2-year warranty.....**599.95**



## FLOWPOD

### The Ideal Stabilizer — Three Tools in One!

A uniquely styled device, the FlowPod is the most versatile piece of support gear on the market. Designed to work perfectly with or without a VariZoom control, the FlowPod merges the popular StealthPod monopod with a patented stabilizing system. The key is the patented locking pivoting foam handle grip. The proprietary handle & gimbal design can either be unlocked as a fluid gimbal for free-floating action stabilizer shots or locked inline for stationary monopod shots. The slim design and narrow base allow the shooter to hold the FlowPod close to the body, relieving stress and enabling tight maneuvers in the most varied circumstances.

But the FlowPod's versatility does not stop there. There is also an optional LowMode kit allowing for low mode shots that until now have only been available in rigs costing thousands.

Unlike users of stabilizing devices that have to balance their stabilizer while holding it, causing unnecessary fatigue and poor balance, the FlowPod is equipped with the VZ-FPB balancing plate and clamp. This allows users to easily and accurately balance their FlowPod without the need to purchase extra accessories.



### FEATURES

- ◆ Locking handle grip allows fluid turns, pans, and tilts in stabilizer mode or rock solid stationary shots in monopod mode.
- ◆ Optional low mode kit for stabilized low-angle shots also allows for attachment of TFT monitor for easier viewing.
- ◆ Clean and accurate counter balance system utilizes positionable ring weights along the lower shaft.
- ◆ Precision balance system: X-Y camera plate provides fore/aft adjustment for horizontal balance and sliding counterweights allow for exact vertical balance adjustment.
- ◆ Supplied balancing plate functions as a docking stand while balancing the FlowPod or resting it when not in use.
- ◆ Upgradable with either DV Sportster or Navigator arm/vest systems.
- ◆ VZ-FP1 weight kit required for use with the Canon XL1/XL1s or cameras over 5 lbs. (the FlowPod is not recommended for Canon XL2 or JVC HD100U).

**FlowPod** (Mfr # VZFP; B&H # VAVZFP) .....**449.95**

## ULTRALITE

### Lightweight, Compact Stabilizer for Cameras up to 7 lbs.



Shoot fluid, steady footage for long periods with the UltraLite. An extremely lightweight, compact and easy-to-use handheld stabilizer, the UltraLite also offers an integrated quick-release plate for rapid camera dismount.

- ◆ The compact design allows for easy use and a quick learning curve.
- ◆ Quick-release mechanism allows for easy removal and mounting of camcorder.
- ◆ Quick-release mount features a level to assist in balancing of X and Y axis.
- ◆ Adjustable length of base allows for quick change in counter balance weight.
- ◆ Pedestal base allows the stabilizer to rest on a flat surface or shoot from a table top.
- ◆ Counter balance plates mount discreetly beneath pedestal base.
- ◆ Upgrade the UltraLite with the DV Sportster to a vest supported stabilizer system.

**UltraLite** (Mfr # VZULTRALITE; B&H # VAVZUL) .....**399.95**

## NAVIGATOR

### Vest/Arm Upgrade for FlowPod and Glidecam Handheld Stabilizers

The ultimate vest/arm upgrade for the FlowPod (as well as Glidecam's 2000 Pro and 4000 Pro handheld stabilizers), the Navigator is a heavy-duty, fully adjustable support vest and single articulated arm that transforms your handheld into a professional stabilizer system. Handheld stabilizers allow shooters to get beautiful, fluid images at a budget price, but they can cause arm and wrist fatigue when used for extended periods of time. The Navigator completely eliminates the stress and lets you concentrate on your shooting instead of your discomfort. One of the best things about the Navigator is that it can be upgraded later with a FlowCam GT or Aviator sled, transforming it into a bona fide professional stabilizer system.



- ◆ Easy setup and operation.
- ◆ Easily adaptable to the FlowPod, Glidecam 2000 Pro/4000 Pro, the heavy-duty, single articulated arm features eight sealed precision bearings and adjustable dual spring system to provide smooth and quiet action.
- ◆ Arm offers up to 27" of vertical travel and has micro adjustable arm tension for 2-10 lbs. camcorders.
- ◆ Compatible with FlowPod low flow kit for ground level shooting.
- ◆ Includes easy to carry heavy duty canvas bag.
- ◆ Lightweight and cool, the form-fit, torso gripping vest is a padded full support vest adjustable with 4 quick release buckles, belt, and height adjusting breast plate.
- ◆ Can be used with the FlowCam GT or Aviator sleds for upgrade to full professional system.

**Navigator Kit** (Mfr # VZ-NAVFPK • B&H # VAVZNAVFPK): Includes vest, arm, and FlowPod Kit (FP with case and low-mode)..... **1849.95**

## DV SPORTSTER

Upgrade your new or old handheld stabilizer to a professional vest supported system. The most versatile, affordable arm/vest stabilizer system on the market, the DV Sportster will support the FlowPod, UltraLite, Glidecam, and Steadicam JR handheld stabilizers. No more experiencing arm and wrist fatigue when using your handheld for extended periods of time. The DV Sportster eliminates the stress and lets you concentrate on your shot instead of the discomfort. If you are currently using an old or new handheld you can safely buy the DV Sportster and know that it will support and improve its performance.



- ◆ Support and improve the performance of your handheld stabilizer in comfort.
- ◆ Universal arm adapts to the FlowPod, UltraLite, Steadicam JR, Glidecam 2000 Pro or Glidecam 4000 Pro.
- ◆ Compact and lightweight, the Sportster is ideal for long shoots with Mini DV camcorders.
- ◆ The articulated arm with vest carries the weight, eliminating wrist and arm fatigue. Incorporates many adjustable points for comfort and performance.
- ◆ Articulated arm is equipped with a Flowtech spring system and eight sealed precision bearings. Adjustable arm tension for camcorders weighing up to 7 lbs.
- ◆ Vest consists of four adjustable straps with quick-release buckles, an adjustable velcro belt, and a height adjusting breast plate.
- ◆ Includes the VZ-B20 a sturdy, padded carry case for safe travel and storage.
- ◆ No tools necessary to assemble and operate.

**DV Sportster** (Mfr # VZDVSPORTSTER; B&H # VAVZDVSP) ..... **749.95**

## FLOWCAM GT

### Single-Arm Stabilizer for Cameras 2-16 lbs.

Offering tremendous value and flexibility, the FlowCam GT is a complete professional stabilizer system for cameras weighing 2-16 lbs. The lightweight, dynamic single-arm design allows even beginners to easily master its operation. Effortlessly tying the system together is the classic, precision 3-axis gimbal. Lightweight and rugged, the gimbal delivers consistent fluid motion with six sets of bearings.

- ◆ The lightweight Vest hugs and supports the upper body, making it possible to fly heavy cameras for extended periods. The Vest includes a contoured chest pad, torso-gripping 4-point buckle system, and height-adjustable chest plate.
- ◆ The GT single arm system is easy to operate and exceptionally lightweight. It supports cameras from 2-16 lbs. and offers up to 27" of vertical travel. Eight precision bearings and an interchangeable spring system result in a silent, stable, wide-range arm.
- ◆ The Micro-adjustable gear drive stage enables extremely precise tuning of horizontal balance. Quick-release dovetail camera plate allows rapid setup and breakdown in the field.
- ◆ At the base of the sled, a 5" 4:3 color monitor serves as a large external viewfinder. A sophisticated no-memory Lithium-Ion battery system powers the monitor. The monitor and batteries serve as counterweight for vertical balance and their positions can be adjusted for fine-tuning.

**FlowCamGT:** Includes vest, arm and sled with 5" monitor. Also includes, hex wrench, BNC/RCA video cable, battery and charger, docking post (for mounting sled on a C-stand or light stand), rolling travel case and training DVD. With V-Lock battery mount (Mfr # VZ-GTVL • B&H # VAVZGTVL), with Anton Bauer battery mount (Mfr # VZ-GTAB • B&H # VAVZGTAB), with NP-1 battery mount (Mfr # VZ-GTNP • B&H # VAVZGTNP) .....**3399.95**



## PROLITE

### Dual-Arm Stabilizer for Cameras 2-12 lbs.

A dual-arm system for cameras weighing 2-12 lbs., the ProLite provides improved shock-absorption, control, and range of motion. The custom Li-Ion battery system, superior arm dynamics and low price make it the stabilizer of choice for DV and HDV cameras.

- ◆ Precision 3-axis gimbal delivers consistent fluid motion with six sets of bearings. Plus, the classic design has been improved with a detachable, ergonomically-sloped extension grip for improved handling and the ability to add a zoom control.
- ◆ Dual Articulated Arm is lightweight and highly dynamic. It supports cameras weighing 2-12 lbs. swiftly and smoothly and offers up to 38" of vertical travel. Twenty-two precision bearings and four springs ensure silent, zero-failure performance. Micro-adjustable gear drive stage enables extremely precise tuning of horizontal balance.
- ◆ The lightweight, cool Vest hugs and supports the upper body, making it possible to fly cameras for extended periods. Vest includes a contoured chest pad, torso-gripping 4-point buckle system, and height-adjustable chest plate.
- ◆ Quick-release dovetail camera plate allows rapid setup and breakdown. At the base of the sled, a 5.6" 4:3 NTSC/PAL color monitor serves as external viewfinder. A li-ion battery with LED capacity indicator is standard. The monitor and batteries serve as counterweight for vertical balance and their positions can be adjusted for fine-tuning.

**ProLite:** Includes padded vest, double articulated arm and dynamically balanced sled with 5" monitor. Also includes, Allen wrench, BNC/RCA video cable, battery and charger, balancing post, rolling travel case and training DVD. With V-Lock battery mount (Mfr # VZ-PROLITEVL • B&H # VAVZPLVL), with Anton Bauer battery mount (Mfr # VZ-PROLITEAB • B&H # VAVZPLAB), with NP-1 battery mount (Mfr # VZ-PROLITENP • B&H # VAVZPLNP) .....**4274.95**

## AVIATOR

## Dual-Arm Stabilizer for Cameras 5-15 lbs.

The Aviator's newly-developed dual-dynamic arm system is extremely fluid, lightweight, and solid. It can bear cameras 5-15 lbs. swiftly and smoothly and offers up to 38" of vertical travel. Twenty five precision bearings and four custom-manufactured stainless steel springs ensure silent, zero-failure performance. The Aviator sled permits all necessary balance adjustments can be made quickly and easily. The comfortable knurled grip can be twisted to adjust gimbal position and provides precise control over the sled. Classic design has been improved with a contoured, ergonomically-sloped extension grip for improved handling and the ability to add a zoom control.

- ◆ Precision 3-axis gimbal delivers consistent fluid motion with six sets of bearings. The lightweight, rugged gimbal ties the system together effortlessly.
- ◆ Vest includes a contoured chest pad, torso-gripping 4-point buckle system, and height-adjustable chest plate. The lightweight, cool vest hugs and supports the upper body, making it possible to fly heavy cameras for extended periods.
- ◆ Micro-adjustable gear drive stage enables extremely precise tuning of horizontal balance. Quick-release dovetail camera plate allows rapid setup and breakdown in the field.
- ◆ At the base of the sled, a 7" 16:9 NTSC/PAL color monitor with proprietary Li-Ion battery and LED capacity indicator serves as a large viewfinder. Monitor and batteries serve as counterweight for vertical balance and their positions can be adjusted for fine-tuning.



**Aviator:** Includes sled, monitor, arm, vest, extension grip, 5 lb. weight plate, two counterweights (0.6 lb each), balancing post, tool kit, Low Mode Kit, DVD. With Anton Bauer mount (Mfr # VZAAB • B&H # VAVZAAB), with V-Lock (Mfr # VZAVL • B&H # VAVZAVL) or NP-1 battery mount (Mfr # VZANP • B&H # VAVZANP) .....**4899.95**

## BLACK HAWK

## Dual-Arm Stabilizer for Cameras 10-25 lbs.



Varizoom's top-of-the-line stabilizer system for broadcast, HD, and film cameras up to 25 lbs. Uses only heavy-duty precision components. A remarkable value, Black Hawk's performance is unsurpassed in this price category.

- ◆ The Black Hawk's reinforced, dual-dynamic arm system is as refined as it is robust. Adjustable over a broad range, it can bear cameras 10-25 lbs. swiftly and smoothly and offers up to 38" of vertical travel. 24 precision bearings and four beefy springs ensure silent, zero-failure performance. The 2-stage reversible arm bridge allows left or right orientation and 4" up/down positioning. This arm will carry cameras as light as 10 lbs. with free optional weight plate.
- ◆ Detachable, ergonomically-sloped extension grip for improved handling and the ability to add a zoom control. Precision 3-axis gimbal delivers consistent fluid motion with six sets of bearings. The lightweight, rugged gimbal ties the system together fluidly and effortlessly.
- ◆ Lightweight, cool, form-fit ultra rigid vest hugs and supports the upper body, making it possible to fly heavy cameras for extended periods. Includes contoured chest pad, torso-gripping 4-point buckle system, 2-stage reversible arm bridge, and height-adjustable chest plate.
- ◆ A 7" 16:9 color monitor at the base of the sled serves as a large external viewfinder and counterweight for vertical balance. Monitor and battery positions can be adjusted for fine-tuning.

**Black Hawk:** Includes sled, monitor, arm, vest, extension grip, 5 lb. weight, balancing post, tool kit, Low Mode Kit. With Anton Bauer battery mount (Mfr # VZ-BLACKHAWKAB • B&H # VAVZBHAB), V-Lock (Mfr # VZ-BLACKHAWKVL • B&H # VAVZBHVVL) or NP-1 battery mount (Mfr # VZANP • B&H # VAVZANP) .....**6699.95**